

WWW.HELMS-MAN.COM
MARKETING@HELMS-MAN.COM



HELMS-MAN TRANSFORMERS



HELMS-MAN (HUI YANG) ELECTRIC LTD.

興茂(惠陽)電器有限公司

Name: Helms-Man(Hui Yang) Electric Ltd.
Plant size: 300,000 sq.ft
Workforce: 2,000
Engineers: 25
Capacity: 3,000,000 units per month
Address: Xin Xu, Hui Yang, Guang Dong, China
中國工廠 惠州市惠陽區新墟鎮新聯管理區
電話: 0752-3050188
傳真: 0752-3050189

HELMS-MAN TRANSFORMERS CO., LTD.

興茂電源有限公司

Flat: A, B, C, D, 3/F., High Win Factory Building,
47 Hoi Yuen Road, Kwun Tong, Kowloon, Hong Kong
Tel.: (852) 2342 0123 Fax: (852) 2341 1343
香港總部: 香港金鐘閣維達17號凱源工業大廈3樓A, B, C, D座

HELMS-MAN INTERNATIONAL (US) CORP

興茂國際(北美)有限公司

5441 Cogswell Road, Unit F, Arcadia, CA 91006
Tel.: (626) 303 2842 Fax: (626) 303 2863



HELMS-MAN TRANSFORMERS

Since 1976

Since 1976 **HELMS-MAN TRANSFORMERS** has been serving the world's electronic and electric industries by designing and manufacturing world class certified adaptors, power transformers and switching mode power supplies for our global customers on ODM or OEM basis.

Nowadays at our ISO 9001 - accredited factory in south China, we are producing 100K plus pieces of various standards of power supplies everyday to help our customers to distribute their products to the global market not only with the lowest possible cost but also in the shortest possible lead time.

Backed by our latest CSM (Customer Satisfaction Maximizer) and MRP (Manufacturing Resources Planning) systems we are offering our customers a chain of value-added services covering all critical areas including Product Concept Development, Engineering Analysis & Design Verification, Product Appearance and Moulds Design, Fast-track Concept Modelling and Prototyping, Safety & EMC Approbation, SMT and AI Auto-Assembly, JIT Manufacturing, Continuous Cost Optimization Analysis, Consistent Throughput Control by FMEA & SPC, and Full Logistic Support.

Getting to know more details about our company or products , please send your inquiry to enquiry@helms-man.com or marketing@helms-man.com or call us at 852-23420123 , or visit our website www.helms-man.com



ISO 9001:2008
FM 19106





自1976年始，興茂電源 **HELMS-MAN TRANSFORMERS** 便為全球的電子及電氣行業客戶提供從自主設計，代客設計以至代工生產等不同模式的生產服務以及全面的電源產品，包括電子變壓器，適配器，轉換器，充電器和開關電源等。

今天興茂電源設於中國惠州惠陽的ISO認證工廠，每天為全球不同客戶生產超過十萬個CE，GS，UL，CSA，CCC，PSE等國際認可的優質電源產品。我們努力使到我們的客戶能夠以更佳的成本，更短的生產周期，把更優質的產品投放到國際市場。

興茂電源於中國惠州惠陽的工廠利用先進的客戶管理系統(CSM)及資源計劃系統(MRP)，為客戶提供以下全方位的高增值服務，包括產品概念設計，工程分析及設計，產品外觀設計，模具設計及製作，產品概念快速模型製作，安規及EMI快速認證，產品成本改進研究，專項自動化生產設計，JIT准時化生產，以及全面物流安排。

我們歡迎客戶查詢，請發電郵到
marketing@helms-man.com 或 enquiry@helms-man.com
或致電HK 852-23420123
或瀏覽本公司網頁 www.helms-man.com 謝謝



DEPARTMENTS & DIVISIONS



Automatic Insertion Lines
自動插件車間



RoHS Scanning
來料控制



R & D
研究開發



ATE Test
自動測檢



Tooling
模具五金



Green Soldering Lines
無鉛車間



Burn in Test
老化測檢



Part of QC Lab
質控中心



Plastic Moulding
注塑車間

Introduction (簡介)

- P.1 Introduction in English (英文簡介)
- P.2 Introduction in Chinese (中文簡介)
- P.3 Factory Tour (工廠參觀)
- P.4 Contents (目錄內容)

Chapter One - Switching Mode Power Supply (開關電源系列)

- P.5 C-Series (Changeable AC Plug Type & Fixed AC Plug Type up to 8W) / C-系列可換插式及固定插式至8W
- P.6 K-Series (Changeable AC Plug Type & Fixed AC Plug Type up to 6W) / K-系列可換插式及固定插式至6W
- P.7 D-Series (Changeable AC Plug Type up to 6W) / D-系列可換插式至6W
- P.8 J-Series (Fixed AC Plug Type up to 8.4W) / J-系列固定插式至8.4W
- P.9 G-Series (Changeable AC Plug Type up to 8.4W & 15.9W) / G-系列可換插式至8.4W 及 15.9W
- P.10 X-Series (Changeable AC Plug Type & Fixed AC Plug Type up to 13W) / X-系列可換插式及固定插式至13W
- P.11 E-Series (Changeable AC Plug Type with USB Inlet up to 13W) & X-Series(Fixed AC Plug Type with USB Inlet up to 13W) / E-系列USB可換插式至13W 及 X-系列USB固定插式至13W
- P.12 E-Series (Changeable AC Plug Type with Dual USB) & X-Series(Fixed AC Plug Type with Dual USB) / E-系列雙USB可換插式 及 X-系列雙USB固定插式
- P.13 F-Series (Changeable AC Plug Type & Fixed AC Plug Type up to 15W) / F-系列可換插式及固定插式至15W
- P.14 E-Series (Changeable AC Plug Type & Fixed AC Plug Type up to 24W) / E-系列可換插式及固定插式至24W
- P.15 R-Series (Changeable AC Plug Type & Fixed AC Plug Type up to 43W) / R-系列可換插式及固定插式至43W
- P.16 W-Series (Changeable AC Plug Type & Fixed AC Plug Type up to 42W) / W-系列可換插式及固定插式至42W
- P.17 N-Series (Fixed AC Plug Type up to 60.48W) & Desk Top N-Series (up to 60.48W) / N-系列固定插式至60.48W 及桌面式N-系列至60.48W
- P.18 Desk Top M-Series (up to 69W) & Desk Top L-Series (up to 120W) / 桌面式M-系列至69W及桌面式L-系列至120W

Chapter Two - Linear Power Supply (線性電源系列)

- P.19 EI2808 Series & EI3508 Series / EI2808系列 及 EI3508系列
- P.20 EI3514 Series & EI4114 Series / EI3514系列 及 EI4114系列
- P.21 EI4117 Series & EI4120 Series / EI4117系列 及 EI4120系列
- P.22 EI4818 Series & EI4824 Series / EI4818系列 及 EI4824系列
- P.23 EI5420 Series & EI41 Multi-voltage Series / EI5420系列及 EI41多組輸出電壓系列

Chapter Three - Battery Holder Type Charger (電池盒充電器)

- P.24 Switching SGC-Series Charger (Holder Type up to 6W) & Switching or Linear SHC-Series Charger (Holder Type up to 3.6W) / 開關式SGC-系列電池充電器至6W 及開關式或線性式SHC-系列電池充電器至3.6W

Chapter Four - Lighting Transformers and LED Drivers (燈具專用電源系列)

- P.25 HXA60W Series (up to AC 60W) & HXA20W Series (up to AC 20W) / HXA60W系列至AC60W 及 HXA20W系列至AC20W
- P.26 F-Series LED Driver (up to DC 12W) & H-Series LED Driver (up to DC 8W) / F-系列LED驅動器至DC12W 及 H-系列LED驅動器至DC8W
- P.27 HED Series LED Driver (up to DC 25W) & HXB Series (up to AC 60W) / HED-系列LED驅動器至DC25W 及 HXB-系列至AC60W
- P.28 Dimmable & Non-Dimmable LED Drivers (from DC1W to DC 60W) / 可調光式及非調光式LED驅動器 DC1W至DC60W
- P.29 HMF Series LED-Chain Driver with Flashing Control (up to AC12W) & HSF Series LED-Chain Driver with Flashing Control (up to AC6W) / HMF系列帶閃光控制LED 燈串驅動器至 AC12W 及 HSF系列帶閃光控制LED燈串驅動器至 AC6W
- P.30 HEW Series 60W Constant Current LED Drivers for Indoor or Outdoor Fixtures / HEW 系列 60W 恆流 LED 驅動器 (室內室外通用)

Chapter Five - Switch Mode Battery Cell Charger (開關式電池充電器系列)

- P.31 Desk Top 4-Cell Fast Charger (for 4xAAA or 4xAA Cells) / 桌面式 1-4 粒 (AAA 或 AA) 電池快速充電器

Chapter Six - Power Transformers (變壓器系列)

- P.32 Helms-Man Collection of Power Transformers / 興茂變壓器簡介
- P.33 Door Chime Transformers / 門鈴或家電控制專用變壓器

Chapter Seven - Accessories (各類配件系列)

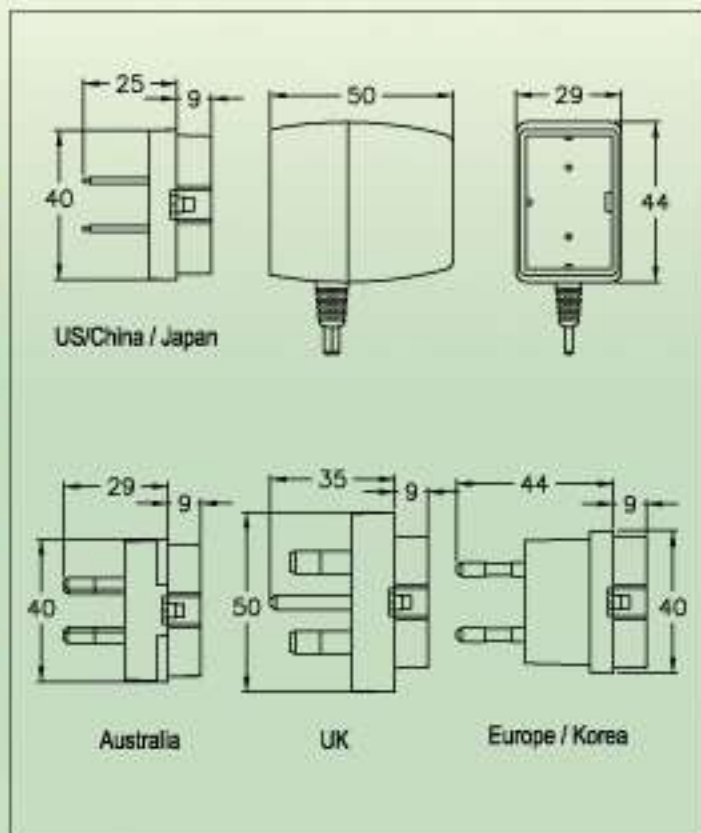
- P.34 Helms-Man Collection of Plugs & Jacks / 興茂各類型插頭插座及連接器
- P.35 Helms-Man Collection of Plugs & Jacks / 興茂各類型插頭插座及連接器
- P.36 Helms-Man Collection of Plugs & Jacks / 興茂各類型插頭插座及連接器
- P.37 Helms-Man Collection of Plugs & Jacks / 興茂各類型插頭插座及連接器
- P.38 Helms-Man Patented Plug-Changeable Power Cord / 興茂專利設計可換插式電源線

WALL-MOUNTED C-SERIES

Universal Switching Adaptors
with Interchangeable AC Plugs (up to 8W)



DESIGN PATENT



MODEL RANGE

INPUT VOLTAGE : AC100V-240V
OUTPUT VOLTAGE : DC5V-24V
OUTPUT CURRENT : 100mA-1500mA
OUTPUT POWER : 8.0W Max

CERTIFIED STANDARDS

UL1310	UL60950	UL60065
UL697	UL60601	UL8750
IEC61558	IEC60950	IEC60065
IEC61347	IEC60335	IEC60601

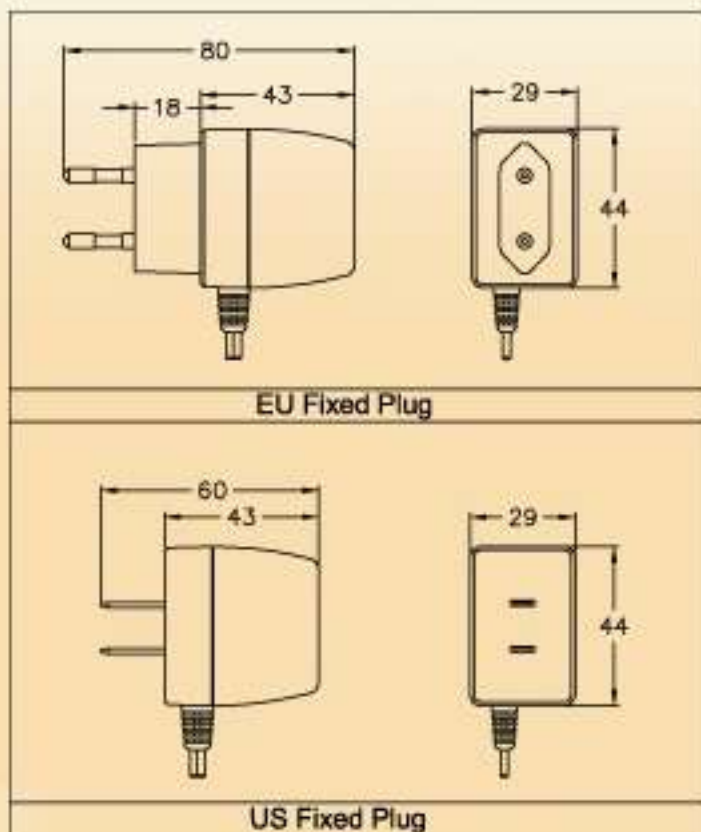


WALL-MOUNTED C-SERIES

Universal Switching Adaptors
with Fixed AC Plugs (up to 8W)



www.helms-man.com



MODEL RANGE

INPUT VOLTAGE : AC100V-240V
OUTPUT VOLTAGE : DC5V-24V
OUTPUT CURRENT : 100mA-1500mA
OUTPUT POWER : 8.0W Max

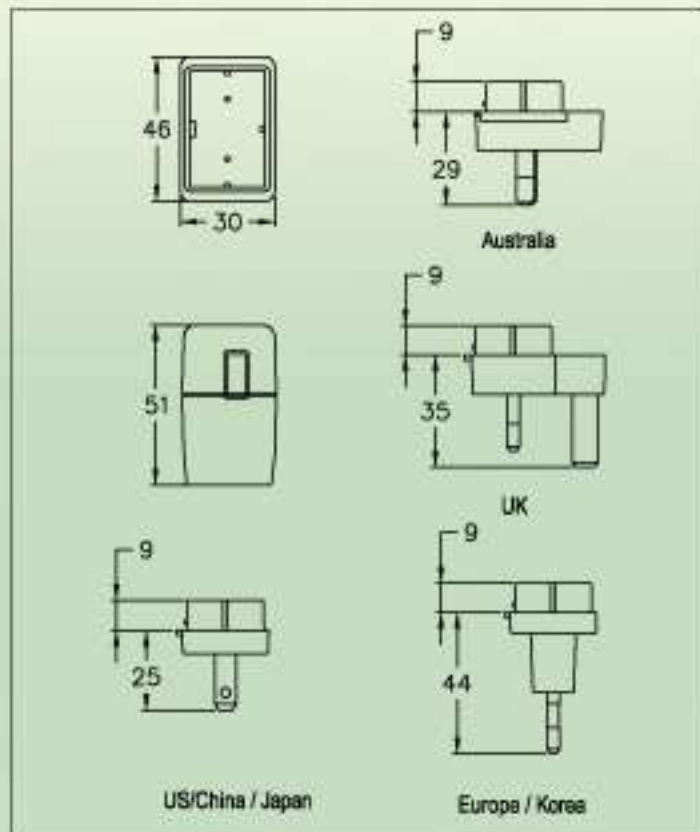
CERTIFIED STANDARDS

UL1310	UL60950	UL60065
UL697	UL60601	UL8750
IEC61558	IEC60950	IEC60065
IEC61347	IEC60335	IEC60601



WALL-MOUNTED K-SERIES (USB INLET)

Universal Switching Adaptors
with Interchangeable AC Plugs (up to 6W)



MODEL RANGE

INPUT VOLTAGE : AC100V-240V
OUTPUT VOLTAGE : DC3V-24V
OUTPUT CURRENT : 10mA-1200mA
OUTPUT POWER : 6.0W Max

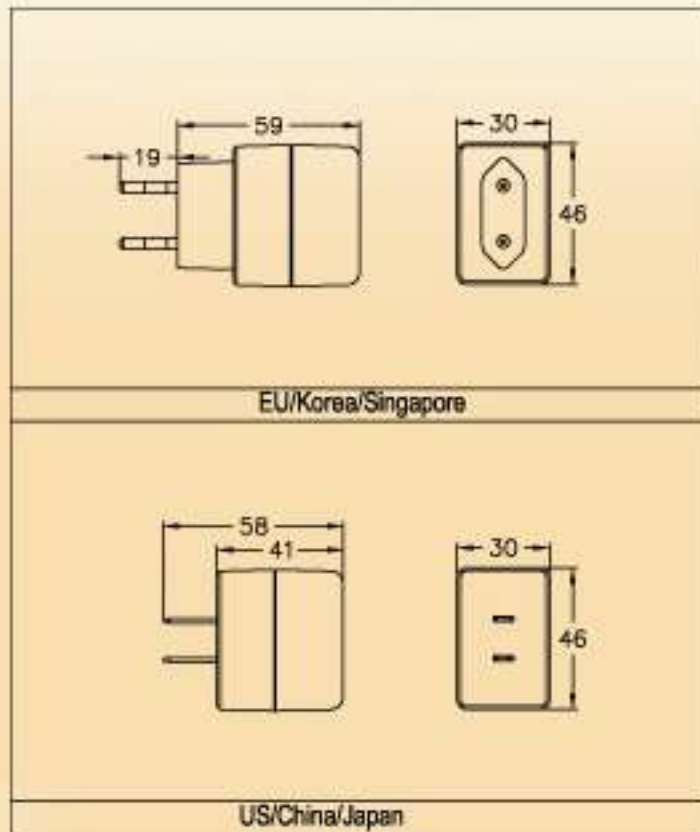
CERTIFIED STANDARDS

UL1310	UL60950	UL60065
UL697	UL60601	UL8750
IEC61558	IEC60950	IEC60065
IEC61347	IEC60335	IEC60601



WALL-MOUNTED K-SERIES (USB INLET)

Universal Switching Adaptors
with Fixed AC Plugs (up to 6W)



MODEL RANGE

INPUT VOLTAGE : AC100V-240V
OUTPUT VOLTAGE : DC3V-24V
OUTPUT CURRENT : 10mA-1200mA
OUTPUT POWER : 6.0W Max

CERTIFIED STANDARDS

UL1310	UL60950	UL60065
UL697	UL60601	UL8750
IEC61558	IEC60950	IEC60065
IEC61347	IEC60335	IEC60601



WALL-MOUNTED D-SERIES (USB INLET)

Universal Switching Adaptors
with Interchangeable AC Plugs (up to 6W)

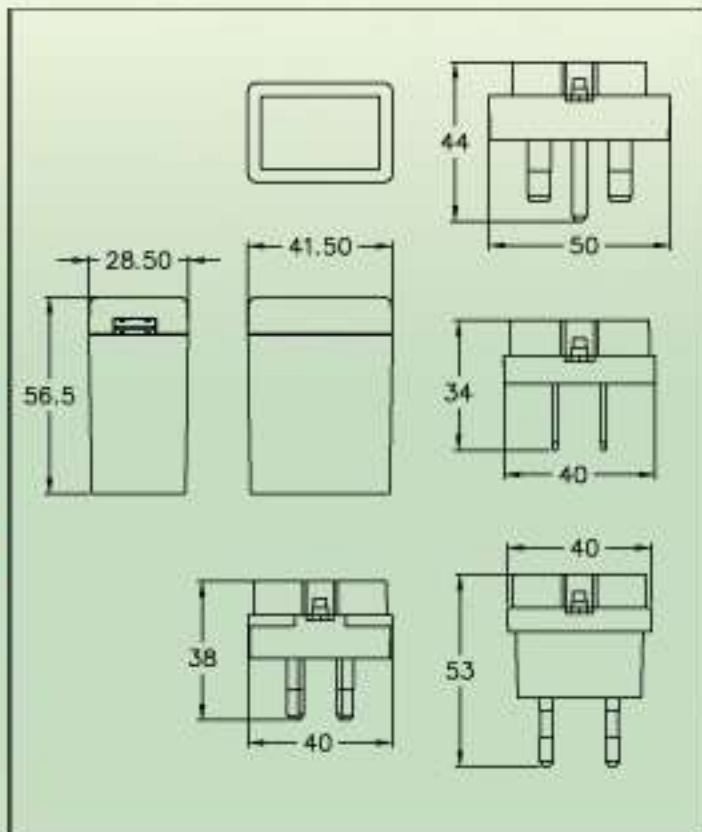


MODEL RANGE

INPUT VOLTAGE : AC100V-240V
OUTPUT VOLTAGE : DC3V - 24V
OUTPUT CURRENT : 100mA - 1000mA
OUTPUT POWER : 6.0W Max

CERTIFIED STANDARDS

UL1310 UL60950 UL60065
UL697 UL60601 UL8750
IEC61558 IEC60950 IEC60065
IEC61347 IEC60335 IEC60601



WALL-MOUNTED D-SERIES (OUTPUT CORD)

Universal Switching Adaptors
with Interchangeable AC Plug (up to 6W)



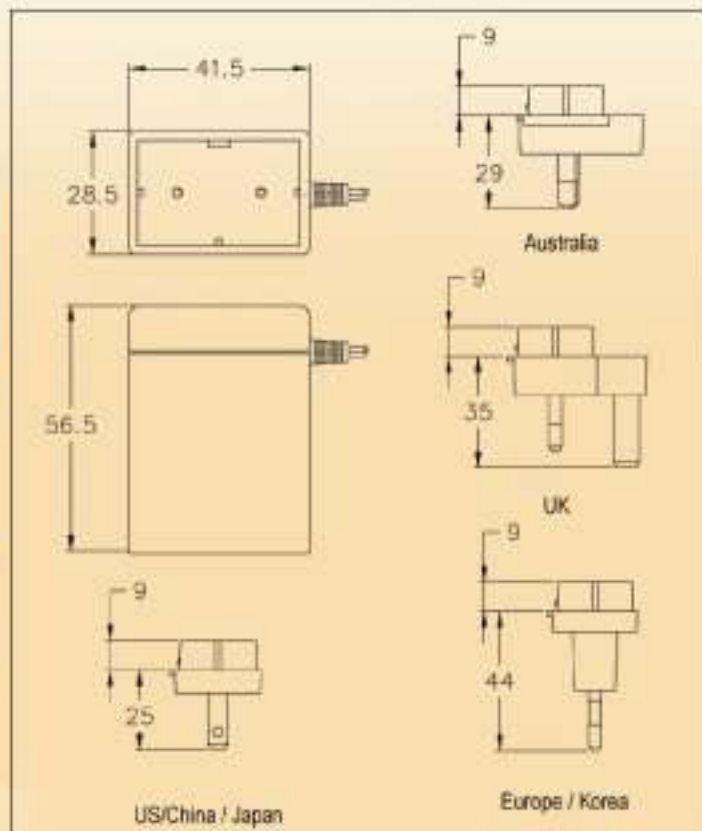
MODEL RANGE

INPUT VOLTAGE : AC100V-240V
OUTPUT VOLTAGE : DC3V - 36V
OUTPUT CURRENT : 100mA - 1000mA
OUTPUT POWER : 6.0W Max

CERTIFIED STANDARDS

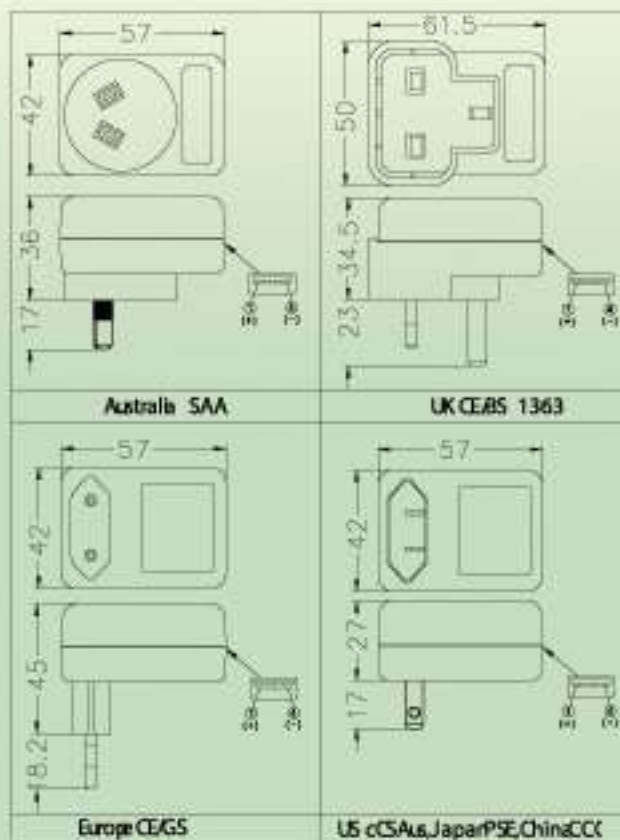
UL1310 UL60950 UL60065
UL697 UL60601 UL8750
IEC61558 IEC60950 IEC60065
IEC61347 IEC60335 IEC60601

www.helms-man.com



WALL-MOUNTED J-SERIES (USB INLET)

Universal Switching Adaptors
with Fixed AC Plugs (up to 8.4W)



MODEL RANGE

INPUT VOLTAGE : AC100V-240V
OUTPUT VOLTAGE : DC5V - 24V
OUTPUT CURRENT : 100mA-1500mA
OUTPUT POWER : 8.4W Max

CERTIFIED STANDARDS

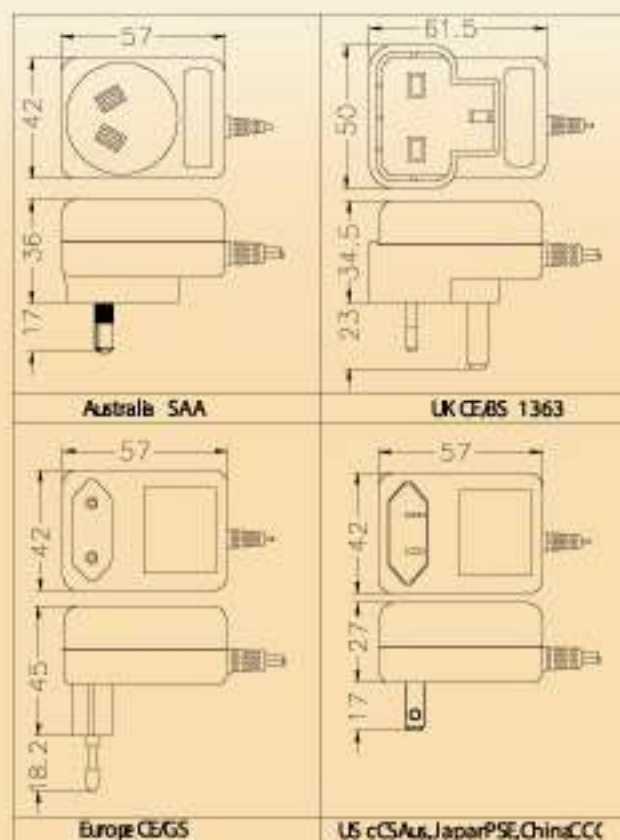
UL1310 UL60950 UL60065
UL697 UL60601 UL8750
IEC61558 IEC60950 IEC60065
IEC61347 IEC60335 IEC60601



WALL-MOUNTED J-SERIES (OUTPUT CORD)

Universal Switching Adaptors
with Fixed AC Plugs (up to 8.4W)

www.helms-man.com



MODEL RANGE

INPUT VOLTAGE : AC100V-240V
OUTPUT VOLTAGE : DC5V - 24V
OUTPUT CURRENT : 10mA-1500mA
OUTPUT POWER : 8.4W Max

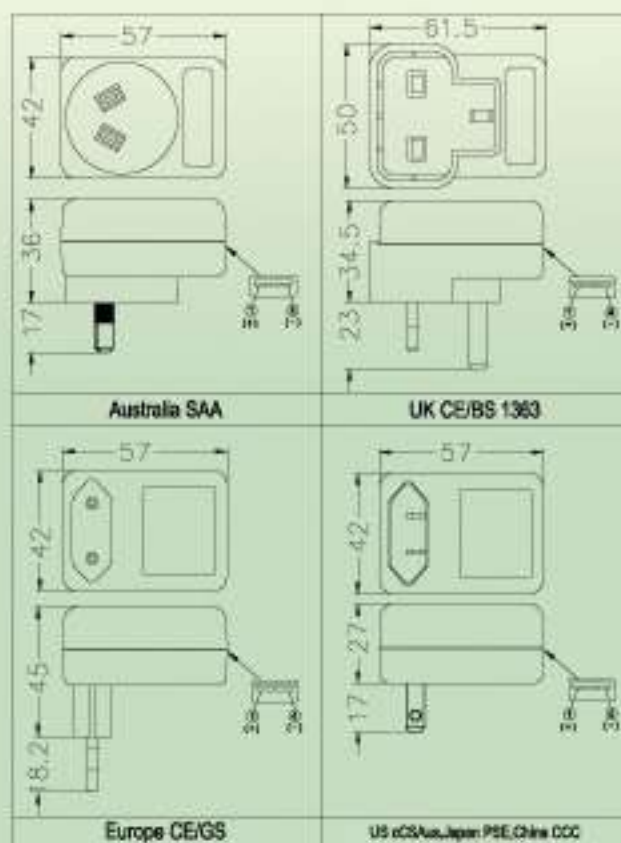
CERTIFIED STANDARDS

UL1310 UL60950 UL60065
UL697 UL60601 UL8750
IEC61558 IEC60950 IEC60065
IEC61347 IEC60335 IEC60601



WALL-MOUNTED J-SERIES (USB INLET)

Universal Switching Adaptors
with Fixed AC Plugs (up to 8.4W)



MODEL RANGE

INPUT VOLTAGE : AC100V-240V
OUTPUT VOLTAGE : DC5V - 24V
OUTPUT CURRENT : 100mA-1500mA
OUTPUT POWER : 8.4W Max

CERTIFIED STANDARDS

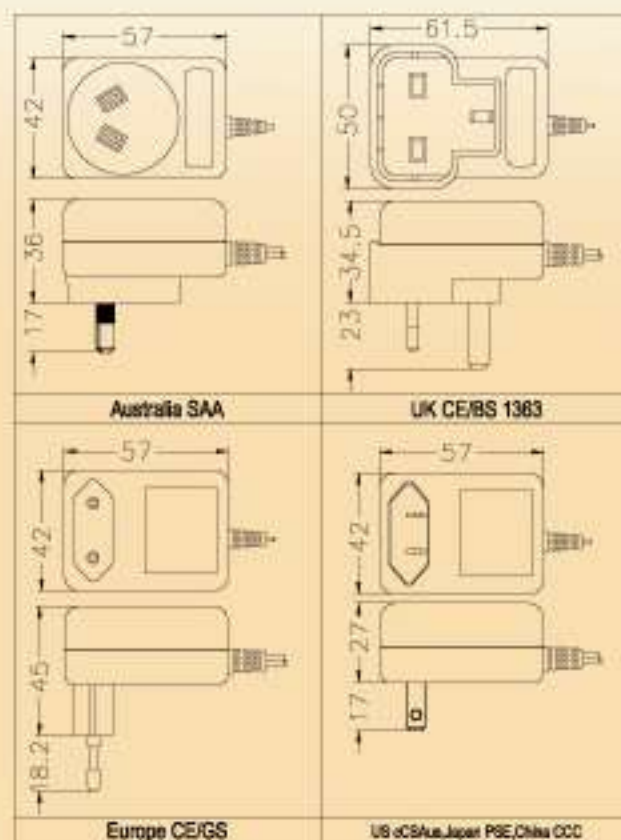
UL1310 UL60950 UL60065
UL697 UL60601 UL8750
IEC61558 IEC60950 IEC60065
IEC61347 IEC60335 IEC60601



WALL-MOUNTED J-SERIES (OUTPUT CORD)

Universal Switching Adaptors
with Fixed AC Plugs (up to 8.4W)

www.helms-man.com



MODEL RANGE

INPUT VOLTAGE : AC100V-240V
OUTPUT VOLTAGE : DC5V - 24V
OUTPUT CURRENT : 10mA-1500mA
OUTPUT POWER : 8.4W Max

CERTIFIED STANDARDS

UL1310 UL60950 UL60065
UL697 UL60601 UL8750
IEC61558 IEC60950 IEC60065
IEC61347 IEC60335 IEC60601





COMPACT G-SERIES WITH USB INLET

Switching Adaptors
with Interchangeable AC Plugs (up to 8.4W)

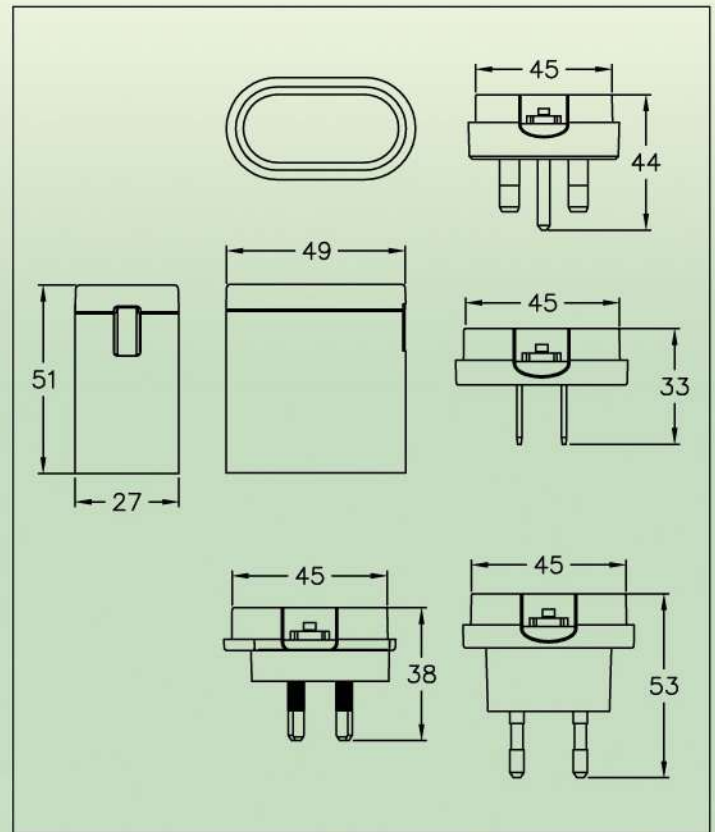


MODEL RANGE

INPUT VOLTAGE : AC100V-240V
OUTPUT VOLTAGE : DC5.0V - 24V
OUTPUT CURRENT : 100mA - 1500mA
OUTPUT POWER : 8.4W Max

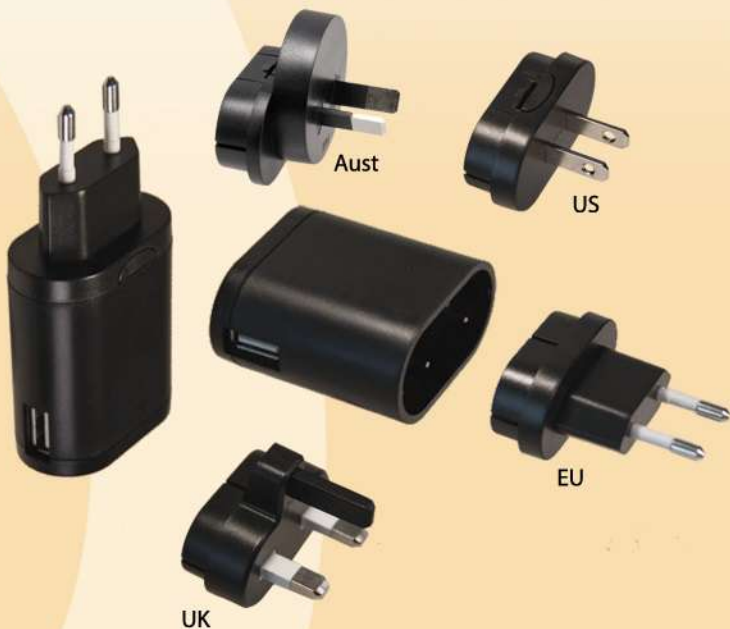
CERTIFIED STANDARDS

UL1310 UL60950 UL60065
UL697 UL60601 UL8750
IEC61558 IEC60950 IEC60065
IEC61347 IEC60335 IEC60601



COMPACT G-SERIES WITH USB INLET

Switching Adaptors
with Interchangeable AC Plugs (up to 15.9W)

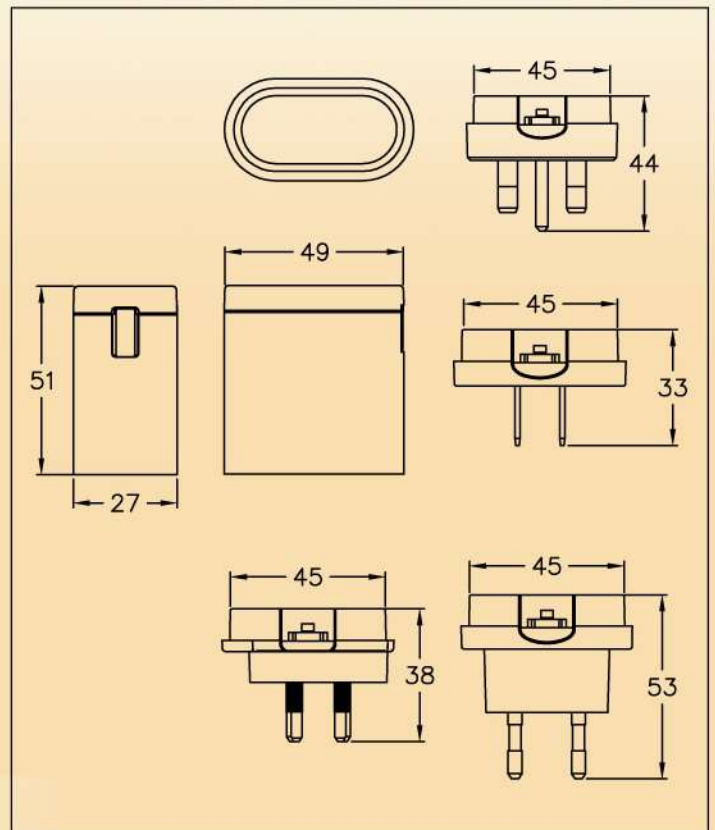


MODEL RANGE

INPUT VOLTAGE : AC100V-240V
OUTPUT VOLTAGE : DC5 - 6.1V
OUTPUT CURRENT : 1000mA - 3500mA
OUTPUT POWER : 15.9W Max

CERTIFIED STANDARDS

UL1310 UL60950 UL60065
UL697 UL60601 UL8750
IEC61558 IEC60950 IEC60065
IEC61347 IEC60335 IEC60601



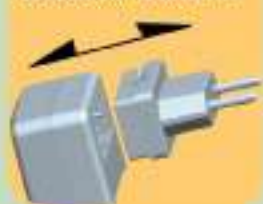


WALL-MOUNTED X-SERIES

Universal Switching Adaptors
with Interchangeable AC Plugs (up to 13W)



DESIGN PATENT

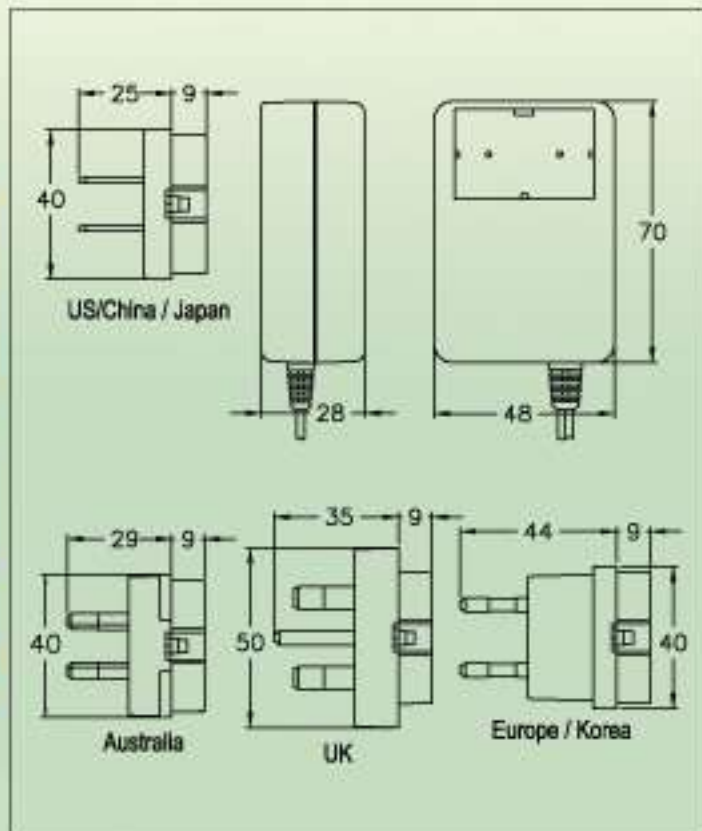


MODEL RANGE

INPUT VOLTAGE : AC100V-240V
OUTPUT VOLTAGE : DC3V-36V
OUTPUT CURRENT : 100mA-2500mA
OUTPUT POWER : 13.0W Max

CERTIFIED STANDARDS

UL1310 UL60950 UL60065
UL697 UL60601 UL8750
IEC61558 IEC60950 IEC60065
IEC61347 IEC60335 IEC60601



WALL-MOUNTED X-SERIES

Universal Switching Adaptors
with Fixed AC Plugs (up to 13W)



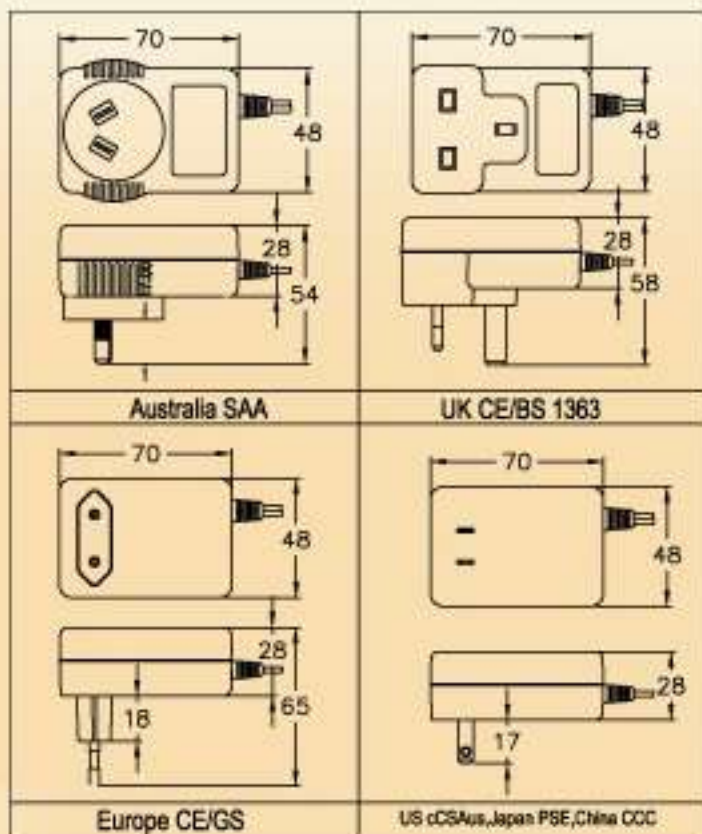
MODEL RANGE

INPUT VOLTAGE : AC100V-240V
OUTPUT VOLTAGE : DC3V-36V
OUTPUT CURRENT : 100mA-2500mA
OUTPUT POWER : 13.0W Max

CERTIFIED STANDARDS

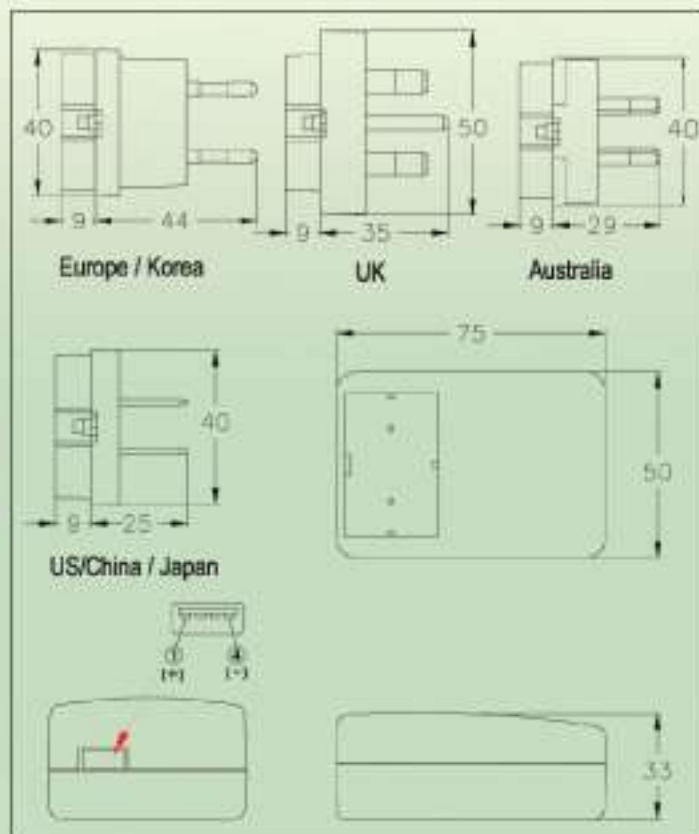
UL1310 UL60950 UL60065
UL697 UL60601 UL8750
IEC61558 IEC60950 IEC60065
IEC61347 IEC60335 IEC60601

www.helms-man.com



WALL-MOUNTED E-SERIES (USB INLET)

Universal Switching Adaptors (Up to 13W)
with Interchangeable AC Plugs



MODEL RANGE

INPUT VOLTAGE : AC100V-240V
OUTPUT VOLTAGE : DC3V - 36V
OUTPUT CURRENT : 100mA-2500mA
OUTPUT POWER : 13.0W Max

CERTIFIED STANDARDS

UL1310 UL60950 UL60065
UL697 UL60601 UL8750
IEC61558 IEC60950 IEC60065
IEC61347 IEC60335 IEC60601

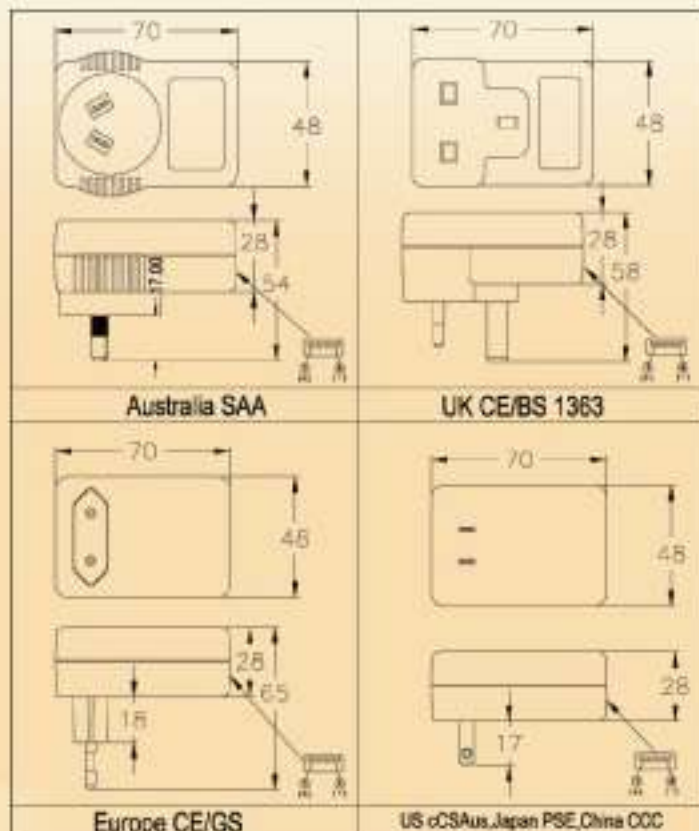


WALL-MOUNTED X-SERIES (USB INLET)

Universal Switching Adaptors
with Fixed AC Plugs (5VDC, 10W)



www.helms-man.com



MODEL RANGE

INPUT VOLTAGE : AC100V-240V
OUTPUT VOLTAGE : DC3V - 36V
OUTPUT CURRENT : 100mA-2500mA
OUTPUT POWER : 13.0W Max

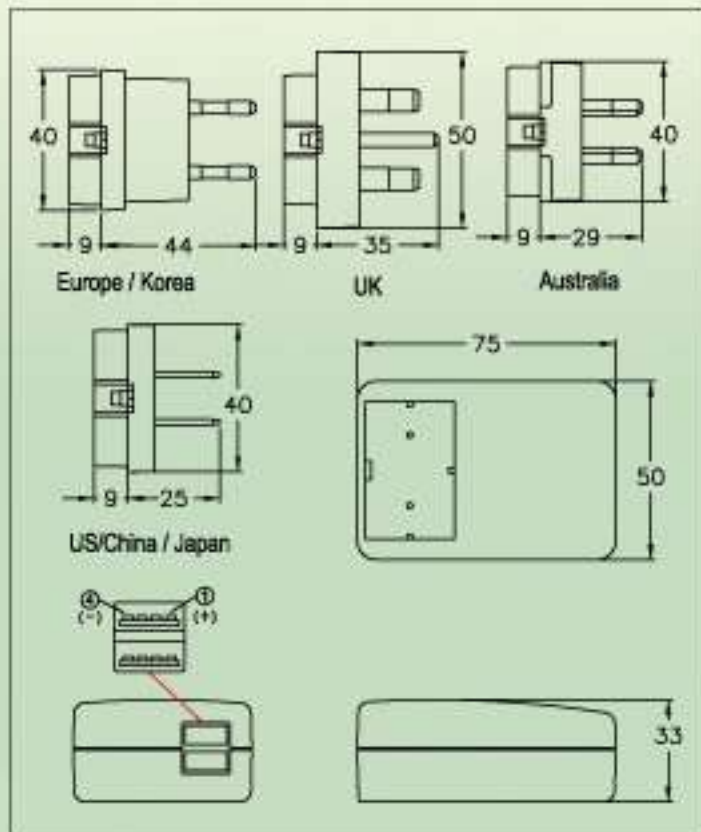
CERTIFIED STANDARDS

UL1310 UL60950 UL60065
UL697 UL60601 UL8750
IEC61558 IEC60950 IEC60065
IEC61347 IEC60335 IEC60601



WALL-MOUNTED E-SERIES (DUAL USB INLETS)

Universal Switching Adaptors (5VDC, 10W)
with Interchangeable AC Plugs



MODEL RANGE

INPUT VOLTAGE : AC100V-240V
OUTPUT VOLTAGE : DC5V
OUTPUT CURRENT : 1 USB 2000mA or
2 USBs-1000mA
OUTPUT POWER : 10.0W Max

CERTIFIED STANDARDS

UL1310	UL60950	UL60065
UL697	UL60601	UL8750
IEC61558	IEC60950	IEC60065
IEC61347	IEC60335	IEC60601

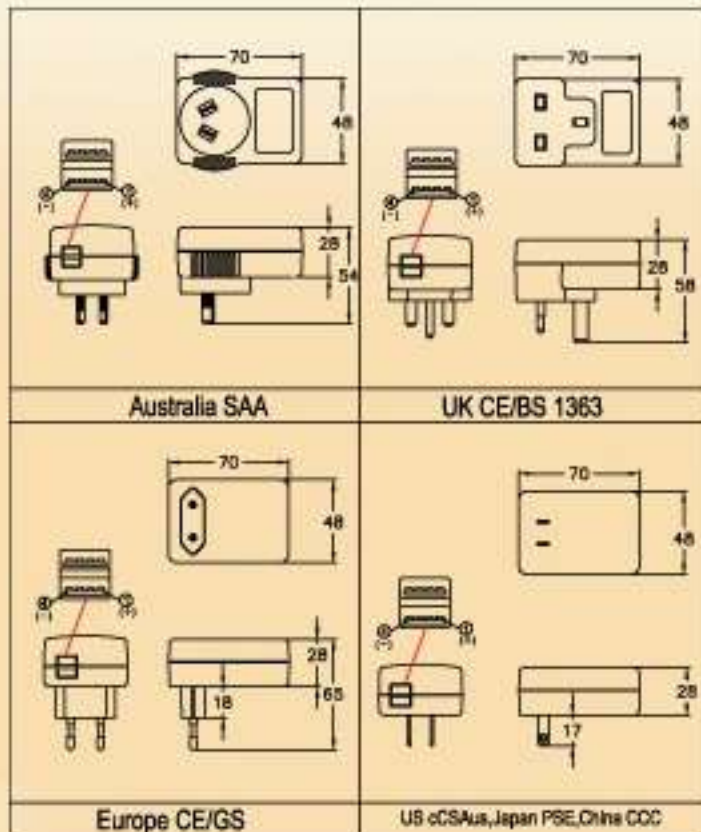


WALL-MOUNTED X-SERIES (DUAL USB INLETS)

Universal Switching Adaptors
with Fixed AC Plugs (5VDC, 10W)



www.helms-man.com



MODEL RANGE

INPUT VOLTAGE : AC100V-240V
OUTPUT VOLTAGE : DC5V
OUTPUT CURRENT : 1 USB 2000mA or
2 USBs-1000mA
OUTPUT POWER : 10.0W Max

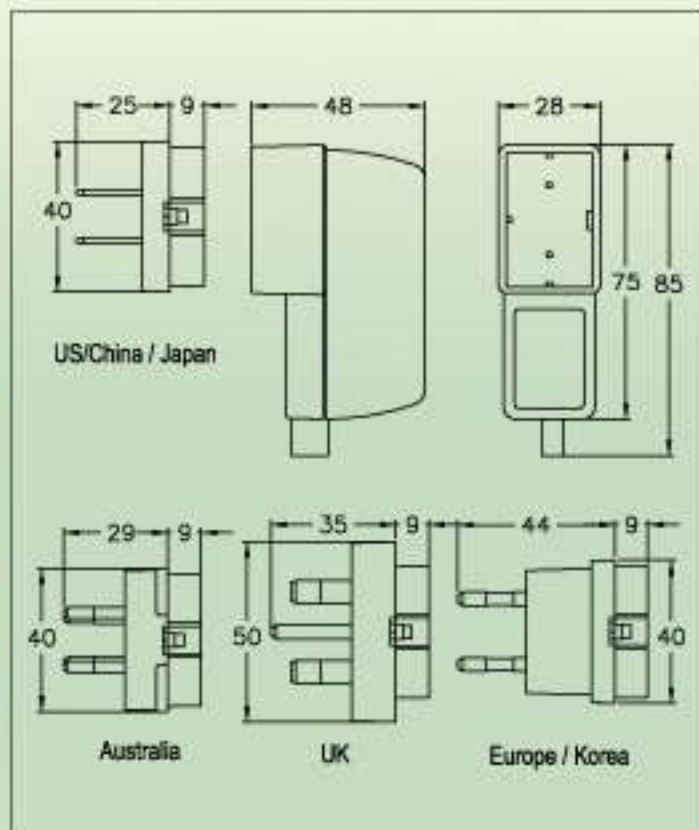
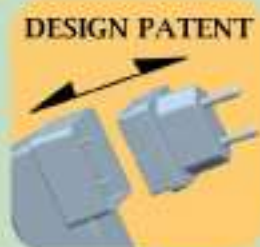
CERTIFIED STANDARDS

UL1310	UL60950	UL60065
UL697	UL60601	UL8750
IEC61558	IEC60950	IEC60065
IEC61347	IEC60335	IEC60601



WALL-MOUNTED F-SERIES

Universal Switching Adaptors
with Interchangeable AC Plugs (up to 15W)



MODEL RANGE

INPUT VOLTAGE : AC100V-240V
OUTPUT VOLTAGE : DC3V-48V
OUTPUT CURRENT : 10mA-3000mA
OUTPUT POWER : 15W Max

CERTIFIED STANDARDS

UL1310	UL60950	UL60065
UL697	UL60601	UL8750
IEC61558	IEC60950	IEC60065
IEC61347	IEC60335	IEC60601

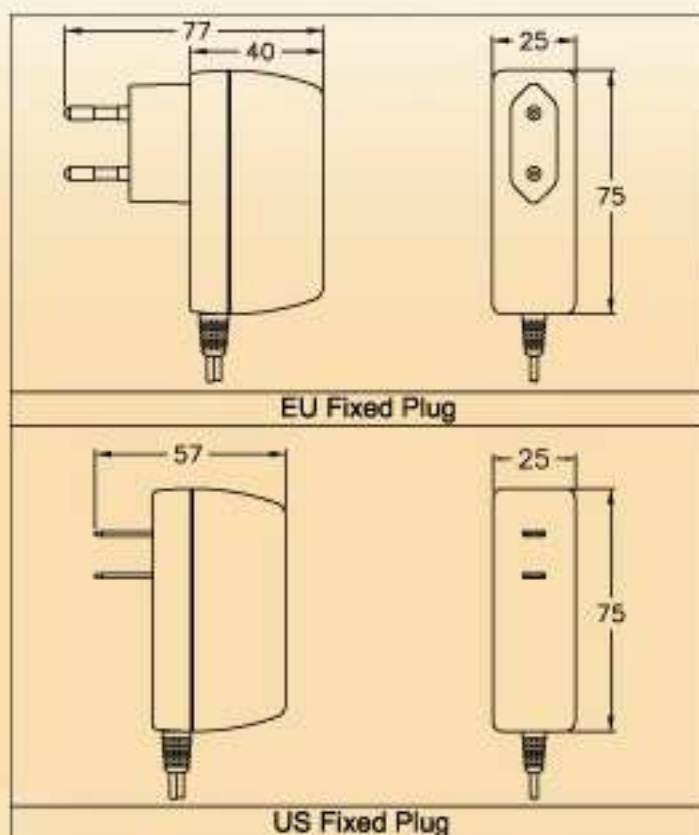


WALL-MOUNTED F-SERIES

Universal Switching Adaptors
with Fixed AC Plugs (up to 15W)



www.helms-man.com



MODEL RANGE

INPUT VOLTAGE : AC100V-240V
OUTPUT VOLTAGE : DC3V-48V
OUTPUT CURRENT : 10mA-3000mA
OUTPUT POWER : 15W Max

CERTIFIED STANDARDS

UL1310	UL60950	UL60065
UL697	UL60601	UL8750
IEC61558	IEC60950	IEC60065
IEC61347	IEC60335	IEC60601



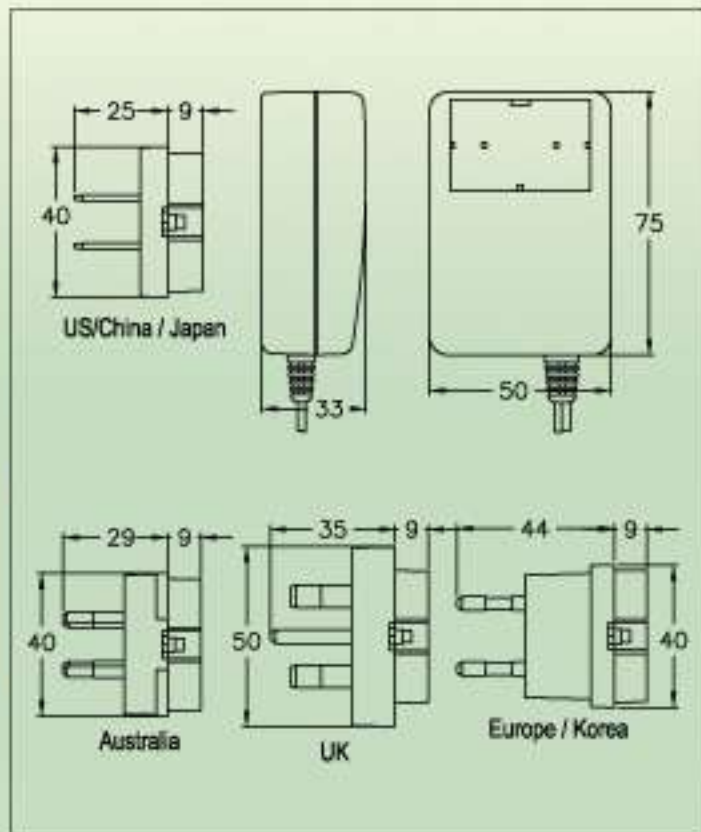


WALL-MOUNTED E-SERIES

Universal Switching Adaptors
with Interchangeable AC Plugs (up to 24W)



DESIGN PATENT



MODEL RANGE

INPUT VOLTAGE : AC100V-240V
OUTPUT VOLTAGE : DC5V - 36V
OUTPUT CURRENT : 10mA - 3000mA
OUTPUT POWER : 24W Max

CERTIFIED STANDARDS

UL1310 UL60950 UL60065
UL697 UL60601 UL8750
IEC61558 IEC60950 IEC60065
IEC61347 IEC60335 IEC60601



WALL-MOUNTED E-SERIES

Universal Switching Adaptors
with Fixed AC Plugs (up to 24W)



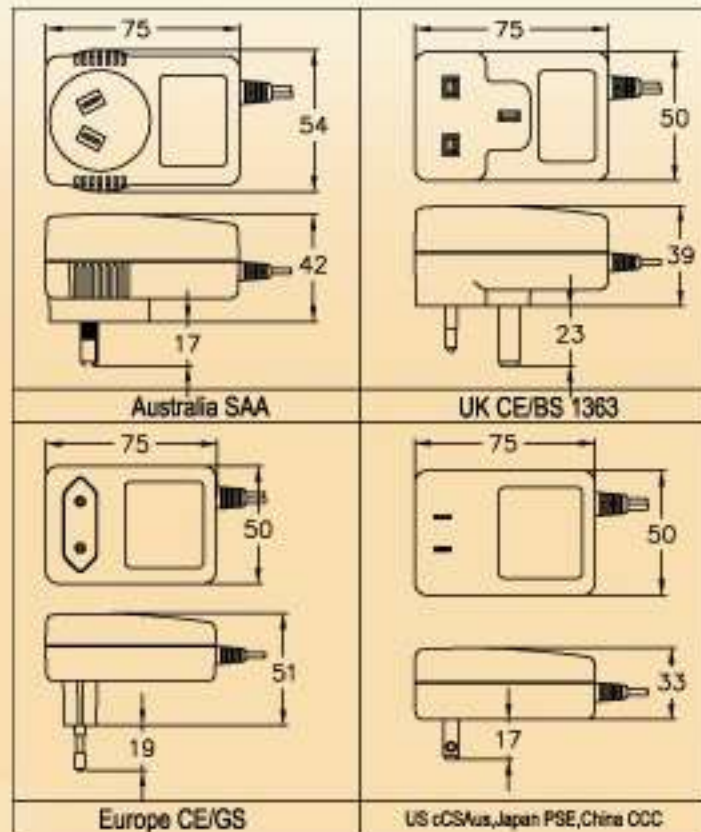
MODEL RANGE

INPUT VOLTAGE : AC100V-240V
OUTPUT VOLTAGE : DC5V - 36V
OUTPUT CURRENT : 10mA-3000mA
OUTPUT POWER : 24W Max

CERTIFIED STANDARDS

UL1310 UL60950 UL60065
UL697 UL60601 UL8750
IEC61558 IEC60950 IEC60065
IEC61347 IEC60335 IEC60601

www.helms-man.com



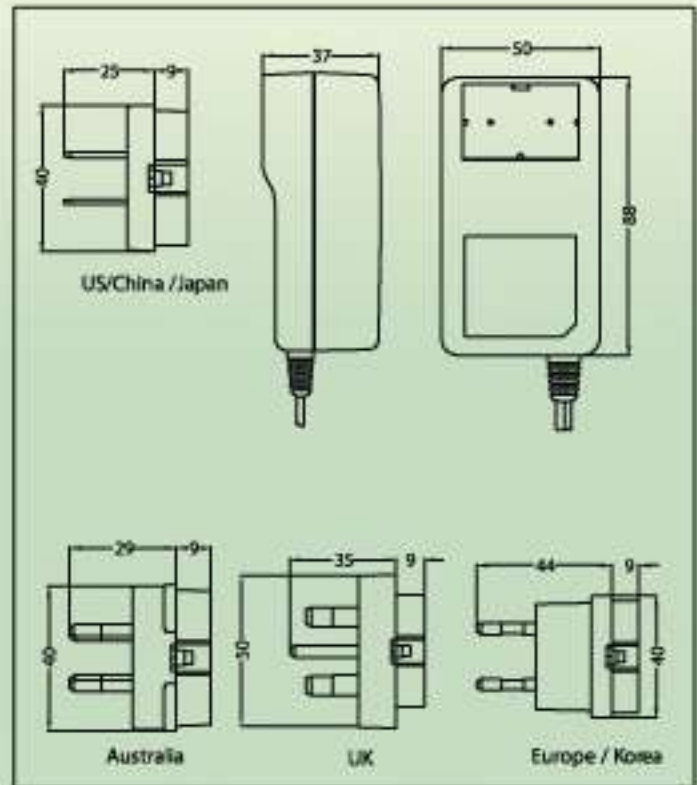
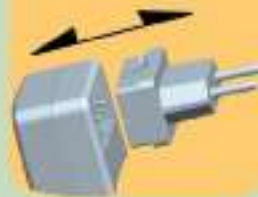


WALL-MOUNTED R-SERIES

Universal Switching Adaptors
with Interchangeable AC Plugs (up to 43W)



DESIGN PATENT



MODEL RANGE

INPUT VOLTAGE : AC100V-240V
OUTPUT VOLTAGE : DC5V - 48V
OUTPUT CURRENT : 100mA-4000mA
OUTPUT POWER : 43W Max

CERTIFIED STANDARDS

UL1310 UL60950 UL60065
UL697 UL60601 UL8750
IEC61558 IEC60950 IEC60065
IEC61347 IEC60335 IEC60601



WALL-MOUNTED R-SERIES

Universal Switching Adaptors
with Fixed AC Plugs (up to 43W)



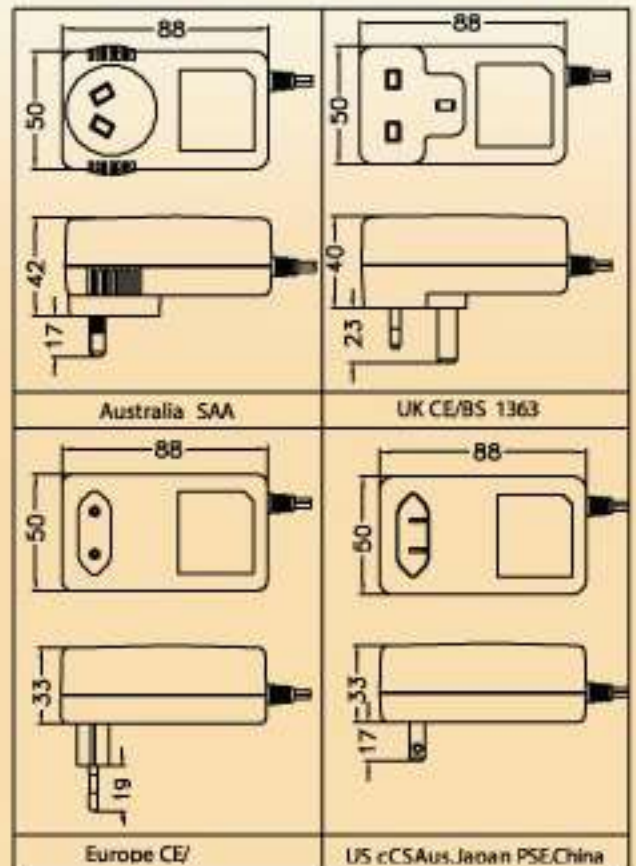
MODEL RANGE

INPUT VOLTAGE : AC100V-240V
OUTPUT VOLTAGE : DC5V - 42V
OUTPUT CURRENT : 100mA-4000mA
OUTPUT POWER : 42W Max

CERTIFIED STANDARDS

UL1310 UL60950 UL60065
UL697 UL60601 UL8750
IEC61558 IEC60950 IEC60065
IEC61347 IEC60335 IEC60601

www.helms-man.com

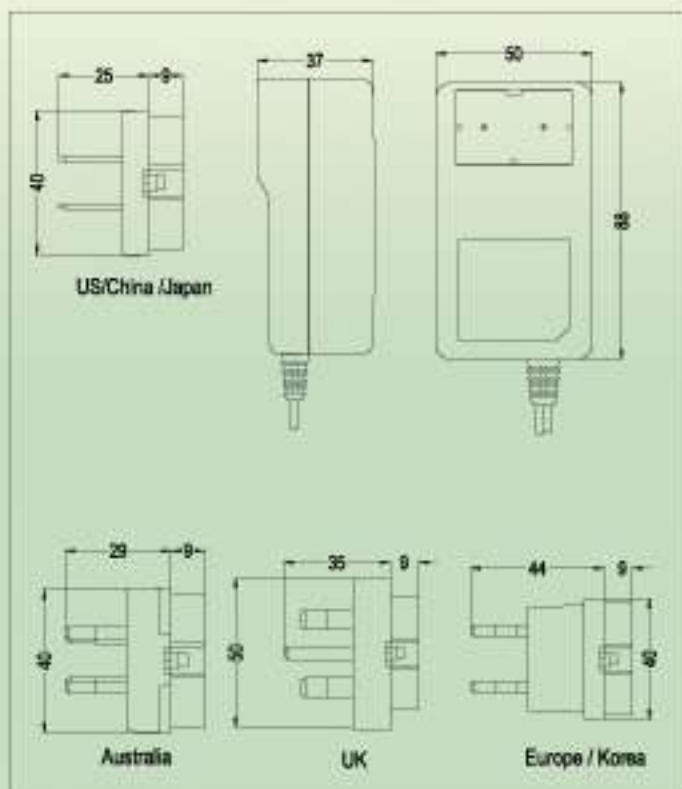
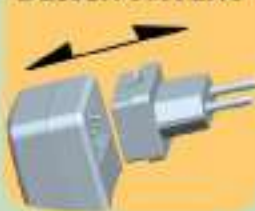


WALL-MOUNTED R-SERIES

Universal Switching Adaptors
with Interchangeable AC Plugs (up to 43W)



DESIGN PATENT



MODEL RANGE

INPUT VOLTAGE : AC100V-240V
OUTPUT VOLTAGE : DC5V - 48V
OUTPUT CURRENT : 100mA-4000mA
OUTPUT POWER : 43W Max

CERTIFIED STANDARDS

UL1310	UL60950	UL60065
UL697	UL60601	UL8750
IEC61558	IEC60950	IEC60065
IEC61347	IEC60335	IEC60601



WALL-MOUNTED R-SERIES

Universal Switching Adaptors
with Fixed AC Plugs (up to 43W)



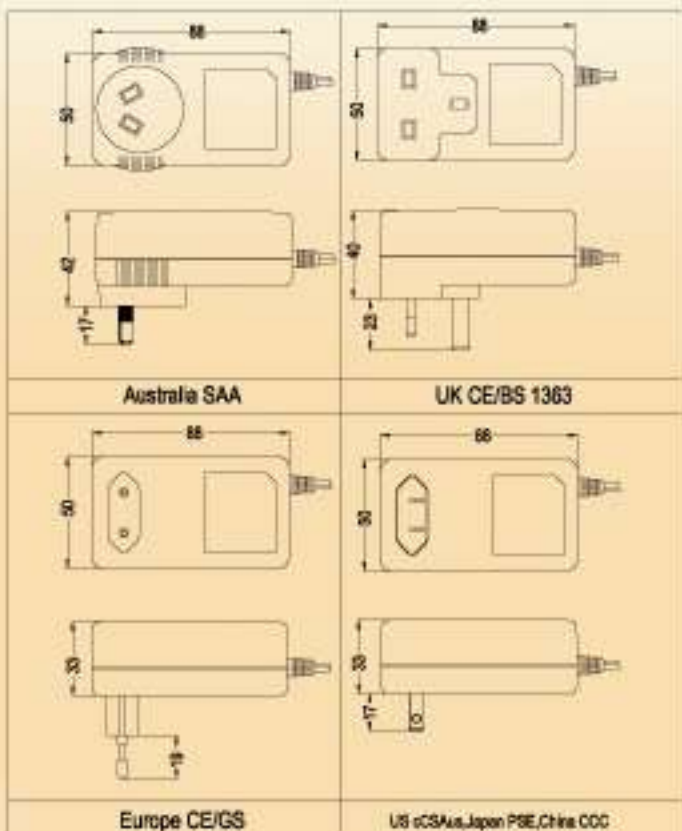
MODEL RANGE

INPUT VOLTAGE : AC100V-240V
OUTPUT VOLTAGE : DC5V - 42V
OUTPUT CURRENT : 100mA-4000mA
OUTPUT POWER : 42W Max

CERTIFIED STANDARDS

UL1310	UL60950	UL60065
UL697	UL60601	UL8750
IEC61558	IEC60950	IEC60065
IEC61347	IEC60335	IEC60601

www.helms-man.com



WALL-MOUNTED SWITCHING (W-SERIES)

Universal Switching Adaptors with Interchangeable AC Plugs (up to 42W)



DESIGN PATENT

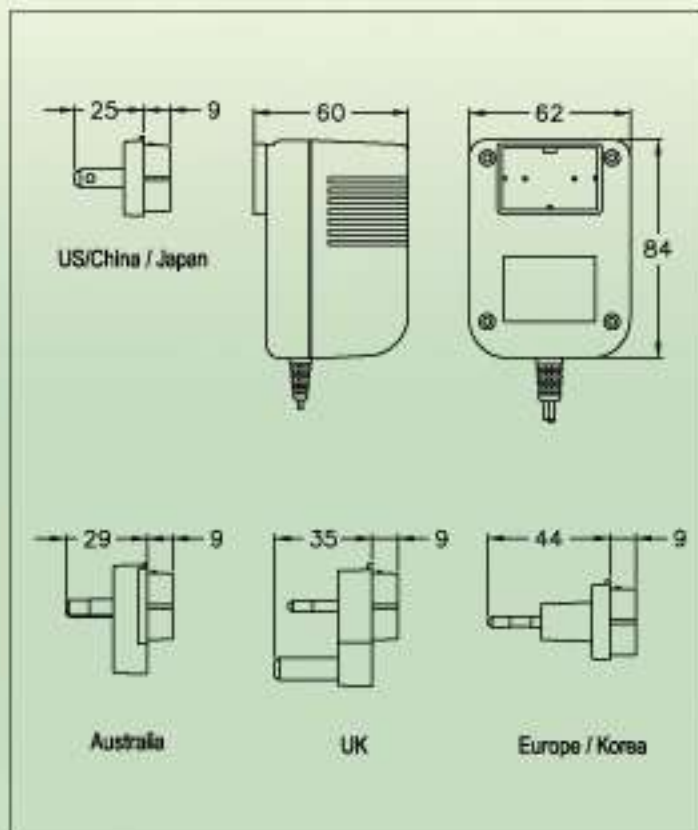


MODEL RANGE

INPUT VOLTAGE : AC100V-240V
 OUTPUT VOLTAGE : DC4.5V - 36V
 OUTPUT CURRENT : 100mA - 4100mA
 OUTPUT POWER : 42W Max

CERTIFIED STANDARDS

UL1310 UL60950 UL60065
 UL697 UL60601 UL8750
 IEC61558 IEC60950 IEC60065
 IEC61347 IEC60335 IEC60601



WALL-MOUNTED SWITCHING (W-SERIES)

Universal Switching Adaptors with Fixed AC Plugs (up to 42W)



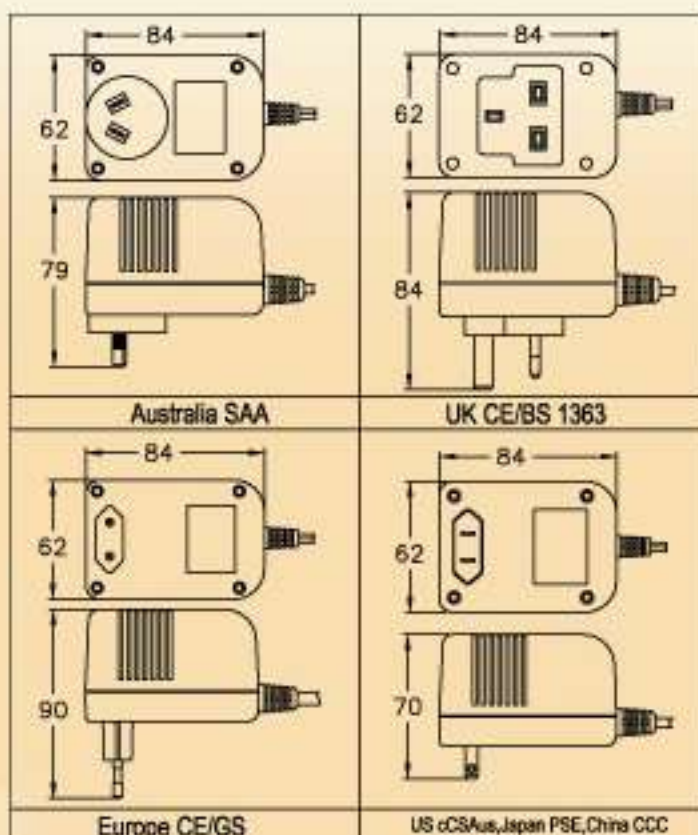
MODEL RANGE

INPUT VOLTAGE : AC100V-240V
 OUTPUT VOLTAGE : DC4.5V - 36V
 OUTPUT CURRENT : 100mA - 4100mA
 OUTPUT POWER : 42W Max

CERTIFIED STANDARDS

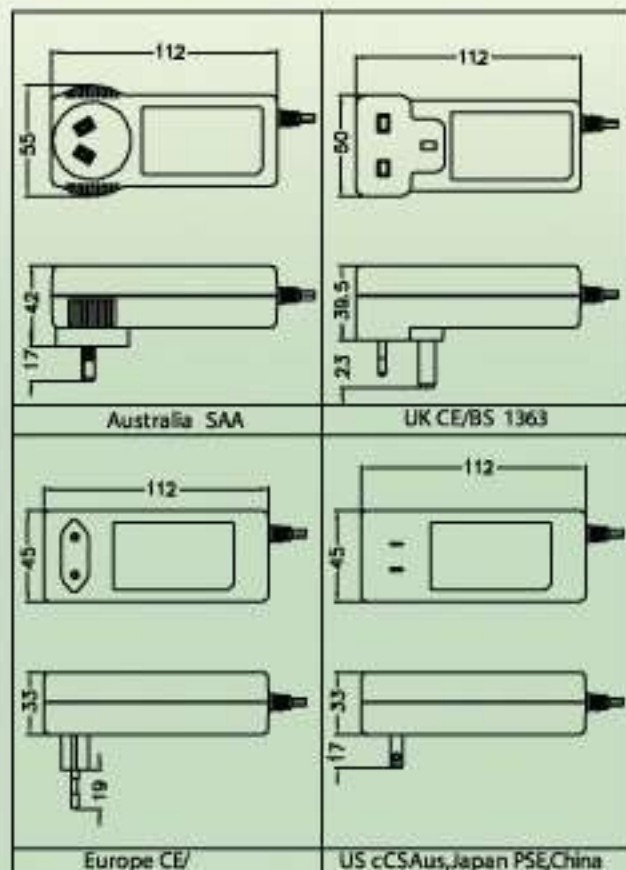
UL1310 UL60950 UL60065
 UL697 UL60601 UL8750
 IEC61558 IEC60950 IEC60065
 IEC61347 IEC60335 IEC60601

www.helms-man.com



WALL-MOUNTED N-SERIES

Universal Switching Adaptors
with Fixed AC Plugs (up to 60.48W)



SERIES POWER RANGE

INPUT VOLTAGE : AC100V-240V

OUTPUT VOLTAGE : DC4.5V-48V

OUTPUT CURRENT : 500mA-6000mA

OUTPUT POWER : 60.48W Max

CERTIFIED STANDARDS

UL1310 UL60950 UL60065

UL697 UL60601 UL8750

IEC61558 IEC60950 IEC60065

IEC61347 IEC60335 IEC60601



DESKTOP N-SERIES

Universal Switching Adaptors with
Plug-Changeable Cords (up to 60.48W)



www.helms-man.com

MODEL RANGE

INPUT VOLTAGE : AC100V-240V

OUTPUT VOLTAGE : DC4.5V-48V

OUTPUT CURRENT : 500mA-6000mA

OUTPUT POWER : 60.48W Max

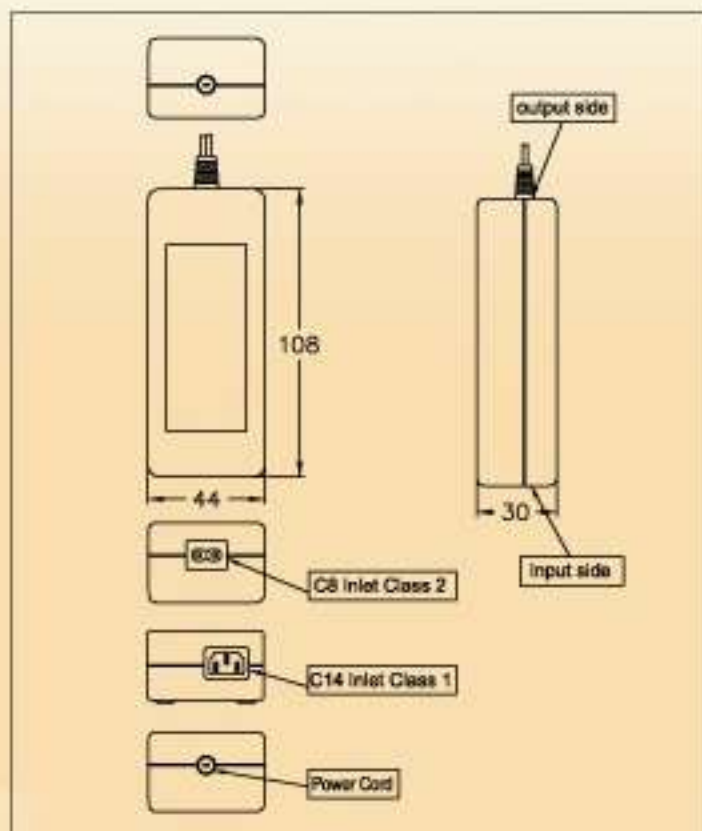
CERTIFIED STANDARDS

UL1310 UL60950 UL60065

UL697 UL60601 UL8750

IEC61558 IEC60950 IEC60065

IEC61347 IEC60335 IEC60601



WALL-MOUNTED N-SERIES

Universal Switching Adaptors
with Fixed AC Plugs (up to 60.48W)

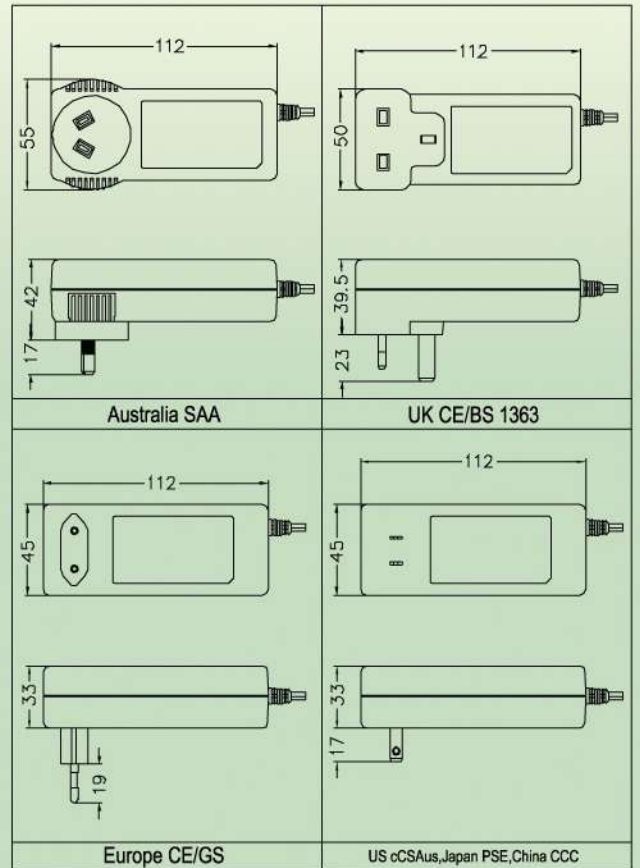


MODEL RANGE

INPUT VOLTAGE : AC100V-240V
OUTPUT VOLTAGE : DC4.5V-48V
OUTPUT CURRENT : 500mA-6000mA
OUTPUT POWER : 60.48W Max

CERTIFIED STANDARDS

UL1310 UL60950 UL60065
UL697 UL60601 UL8750
IEC61558 IEC60950 IEC60065
IEC61347 IEC60335 IEC60601



DESKTOP N-SERIES

Universal Switching Adaptors with
Plug-Changeable Cords (up to 60.48W)



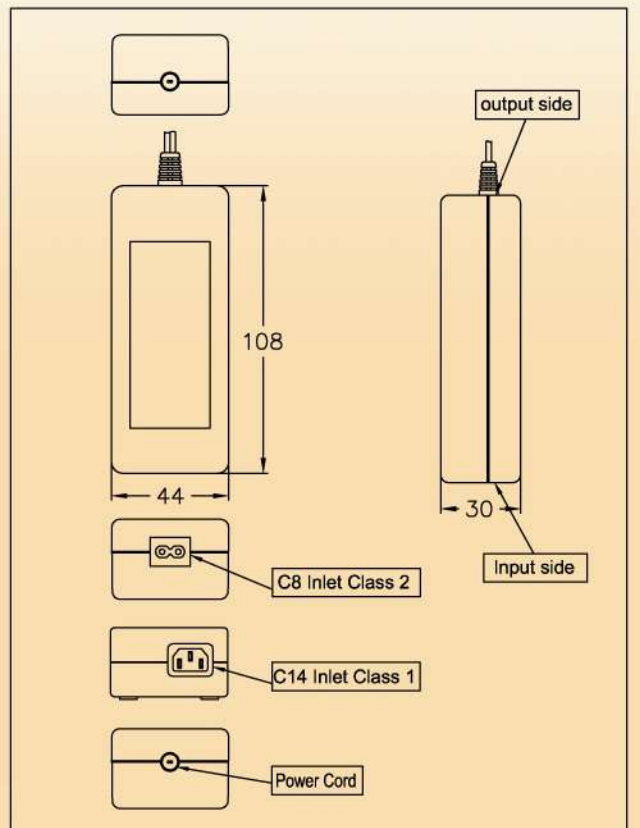
MODEL RANGE

INPUT VOLTAGE : AC100V-240V
OUTPUT VOLTAGE : DC4.5V-48V
OUTPUT CURRENT : 500mA-6000mA
OUTPUT POWER : 60.48W Max

CERTIFIED STANDARDS

UL1310 UL60950 UL60065
UL697 UL60601 UL8750
IEC61558 IEC60950 IEC60065
IEC61347 IEC60335 IEC60601

www.helms-man.com



DESK-TOP M-SERIES

Universal Switching Adaptors with Plug-Changeable Cords (up to 69W)

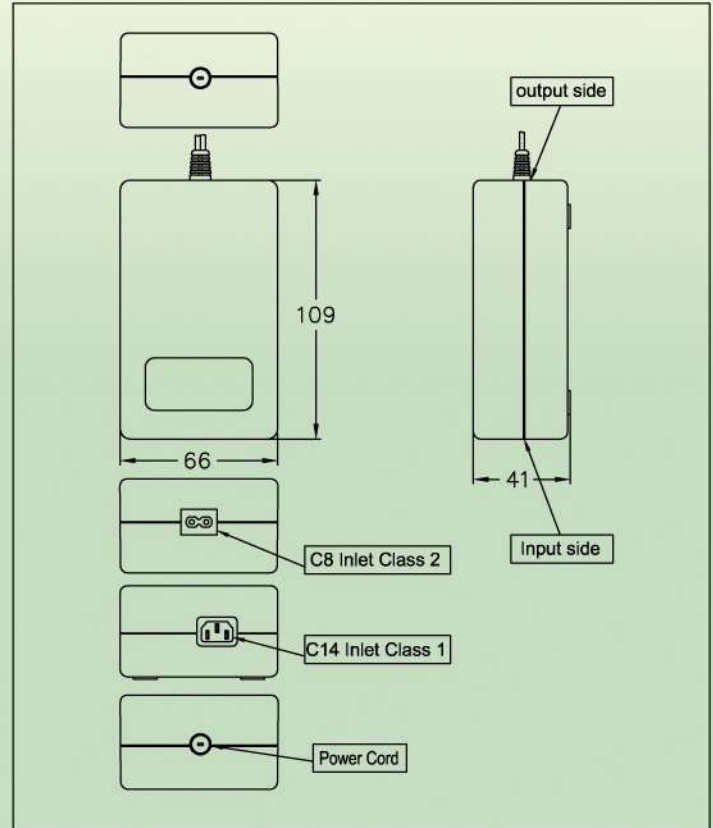


MODEL RANGE

INPUT VOLTAGE : AC100V-240V
 OUTPUT VOLTAGE : DC6V-48V
 OUTPUT CURRENT : 100mA-5000mA
 OUTPUT POWER : 69W Max

CERTIFIED STANDARDS

UL1310 UL60950 UL60065
 UL697 UL60601 UL8750
 IEC61558 IEC60950 IEC60065
 IEC61347 IEC60335 IEC60601



DESKTOP L-SERIES

Switching Adaptors with Plug-Changeable Cords (up to 120W)



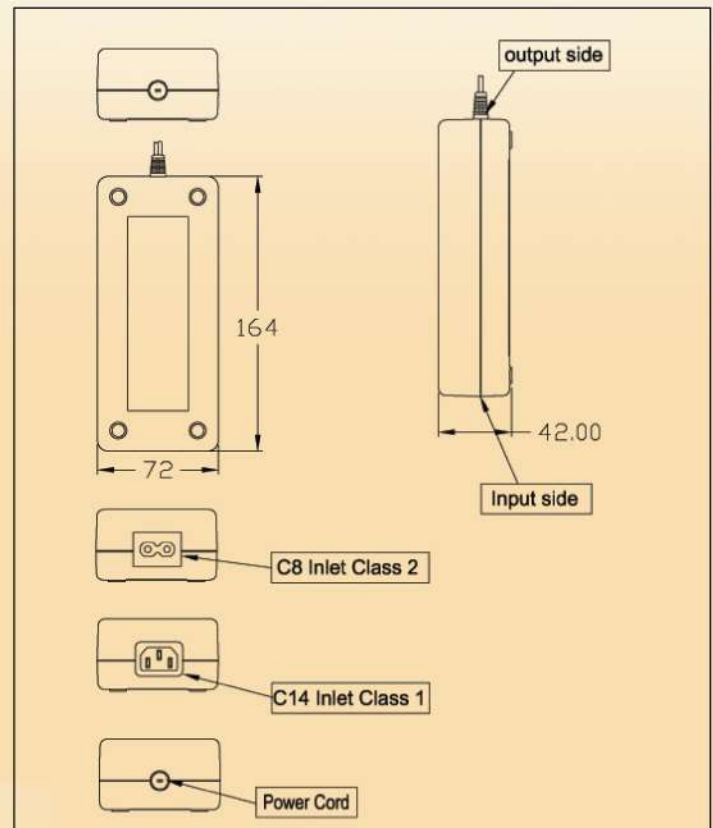
MODEL RANGE

INPUT VOLTAGE : AC100V-240V
 OUTPUT VOLTAGE : DC12V-56V
 OUTPUT CURRENT : 1000mA - 8000mA
 OUTPUT POWER : 120W Max

CERTIFIED STANDARDS

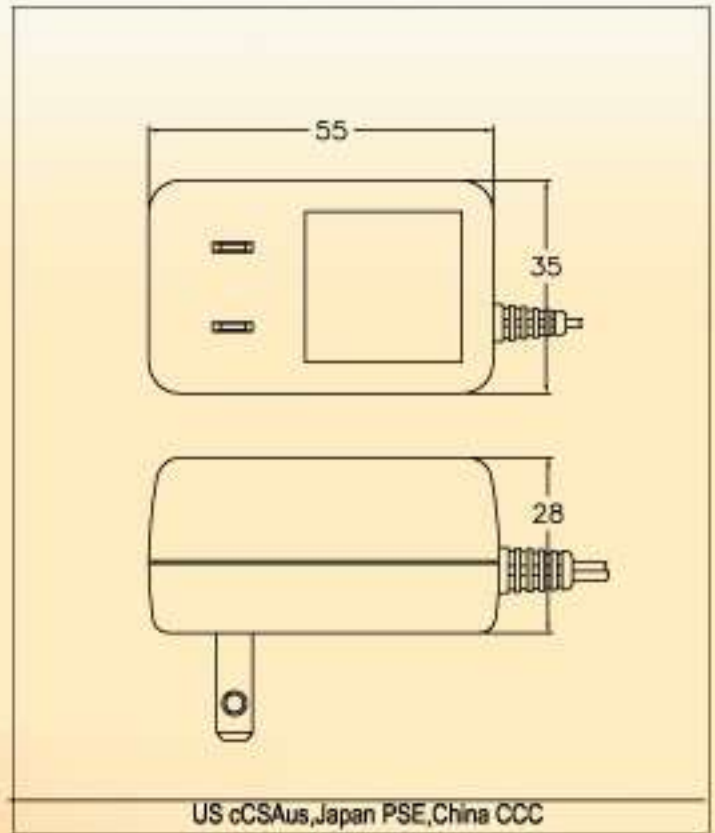
UL1310 UL60950 UL60065
 UL697 UL60601 UL8750
 IEC61558 IEC60950 IEC60065
 IEC61347 IEC60335 IEC60601

www.helms-man.com



WALL-MOUNTED LINEAR (EI 2808) SERIES

Adaptors with Fixed AC Plugs (up to 2.05W)



Input Voltage	Certified Standards	Output Voltage	Output Power
AC120V 60Hz	UL/CSA 60950	AC1.7V-15.6V DC1.5V-18V	AC2.05VA Max DC1.8VA Max
	UL/CSA 60065	X X	X X
	UL/CSA 1310	AC1.7V-15.6V DC1.5V-18V	AC2.05VA Max DC1.8VA Max
AC230-240V 50Hz	EN/AS 60950	X X	X X
	EN/AS 60065	X X	X X
	EN/AS 61558	X X	X X

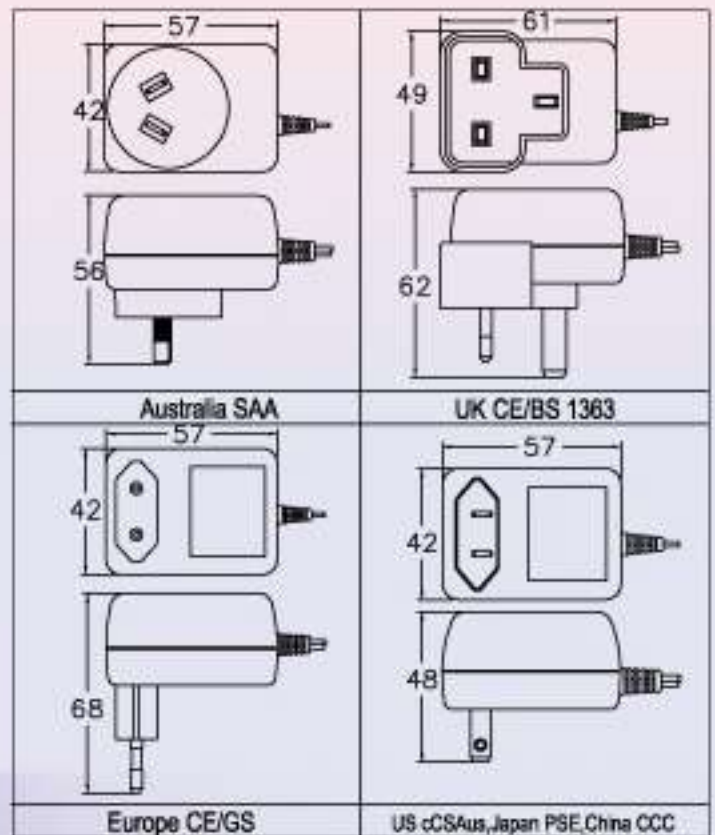


WALL-MOUNTED LINEAR (EI 3508) SERIES

Adaptors with Fixed AC Plugs (up to 2W)



www.helms-man.com



Input Voltage	Certified Standards	Output Voltage	Output Power
AC120V 60Hz	UL/CSA 60950	AC2.3V - 20V DC1.5V - 24V	AC2.0VA Max DC1.5VA Max
	UL/CSA 60065	X X	X X
	UL/CSA 1310	AC2.3V - 20V DC1.5V - 24V	AC2.0VA Max DC1.5VA Max
AC230-240V 50Hz	EN/AS 60950	AC3V - 24V DC3V - 24V	AC1.6VA Max DC1.04VA Max
	EN/AS 60065	AC3V - 20V DC3V - 24V	AC1.8VA Max DC1.04VA Max
	EN/AS 61558	AC3V - 24V DC3V - 24V	AC1.6VA Max DC1.04VA Max

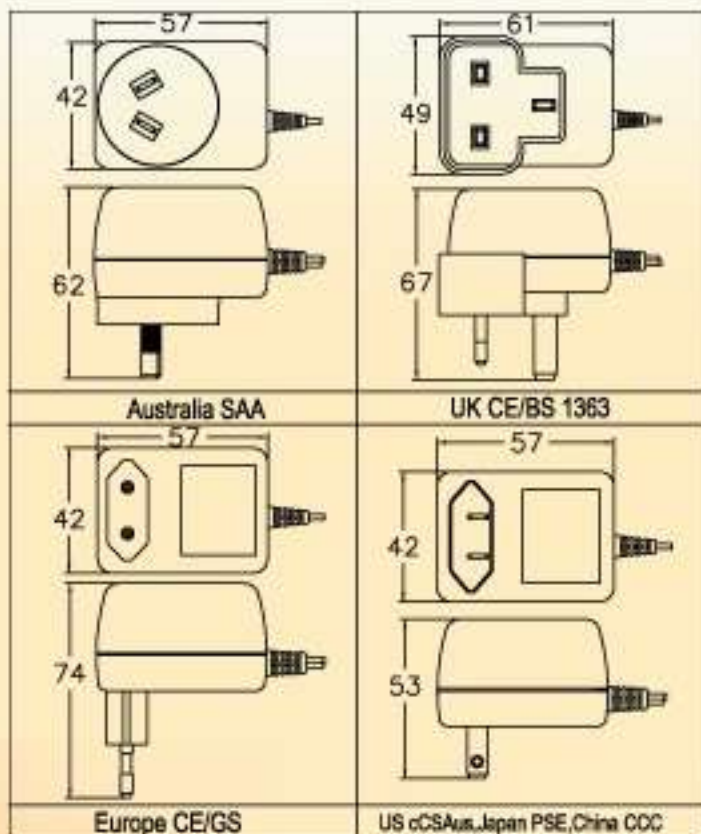


WALL-MOUNTED LINEAR (EI 3514) SERIES

Adaptors with Fixed AC Plugs (up to 5.2W)



Input Voltage	Certified Standards	Output Voltage	Output Power
AC120V 60Hz	UL/CSA 60950	AC1.5V - 24V DC1.5V - 44V	AC5.16VA Max DC3.72VA Max
	UL/CSA 60065	X X	X X
	UL/CSA 1310	AC1.5V - 24V DC1.5V - 44V	AC5.16VA Max DC3.72VA Max
AC230-240V 50Hz	EN/AS 60950	AC3V - 22V DC3V - 48V	AC4.8VA Max DC3.71VA Max
	EN/AS 60065	AC3V - 18V DC3V - 48V	AC4.8VA Max DC3.71VA Max
	EN/AS 61558	AC3V - 36V DC3V - 48V	AC4.83VA Max DC3.71VA Max



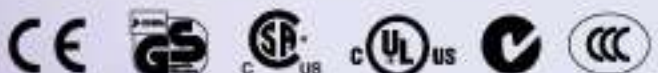
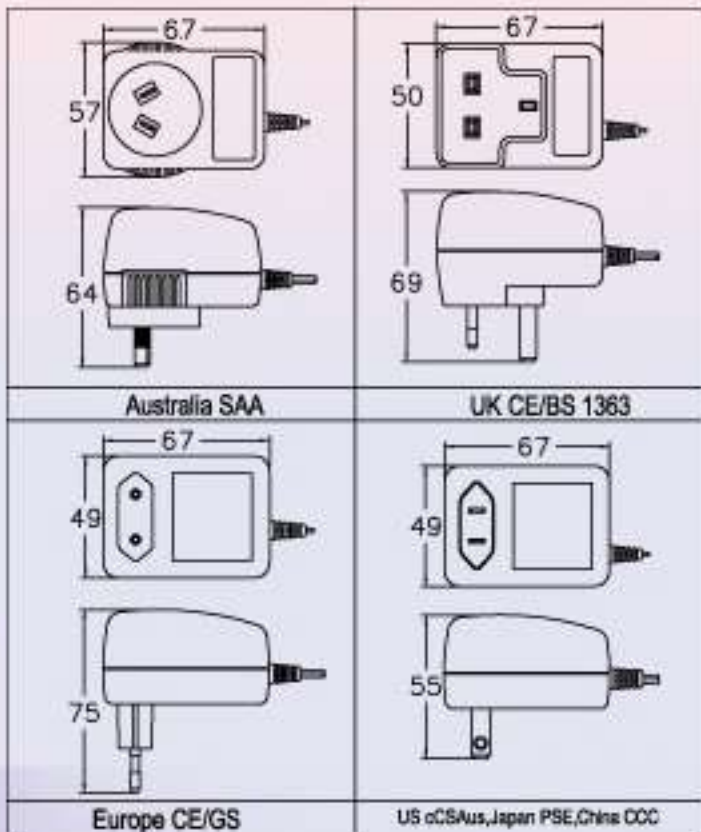
WALL-MOUNTED LINEAR (EI 4114) SERIES

Adaptors with Fixed AC Plugs (up to 7.0W)



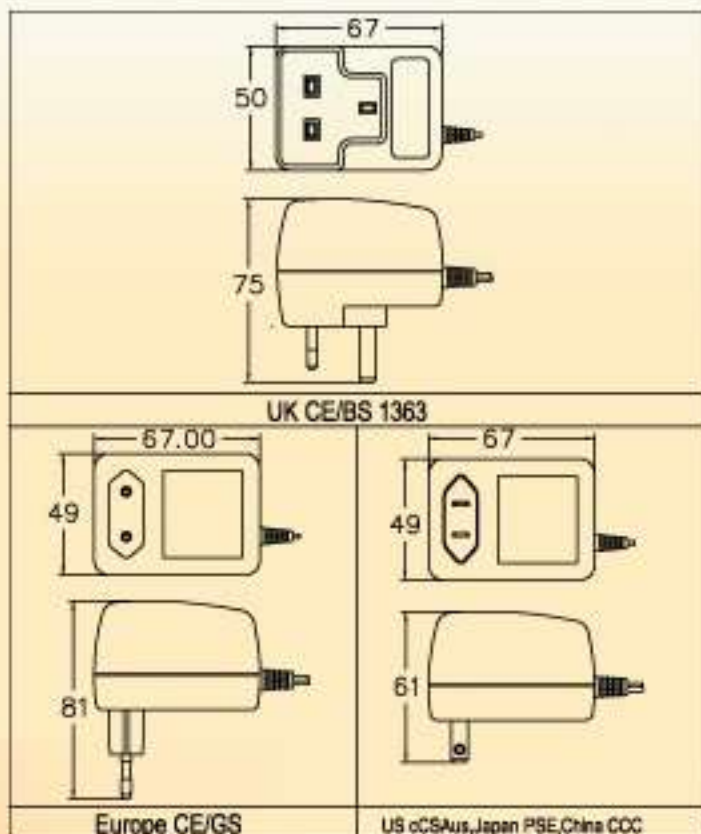
Input Voltage	Certified Standards	Output Voltage	Output Power
AC120V 60Hz	UL/CSA 60950	X	X
	UL/CSA 60065	X X	X X
	UL/CSA 1310	AC12V	AC5.06VA Max X
AC230-240V 50Hz	EN/AS 60950	AC3V - 22V DC3V - 48V	AC7.02VA Max DC5.25VA Max
	EN/AS 60065	AC3V - 18V DC3V - 48V	AC6.72VA Max DC5.25VA Max
	EN/AS 61558	AC3V - 36V DC3V - 48V	AC7.02VA Max DC5.25VA Max

www.helms-man.com



WALL-MOUNTED LINEAR (EI 4117) SERIES

Adaptors with Fixed AC Plugs (up to 8.4W)

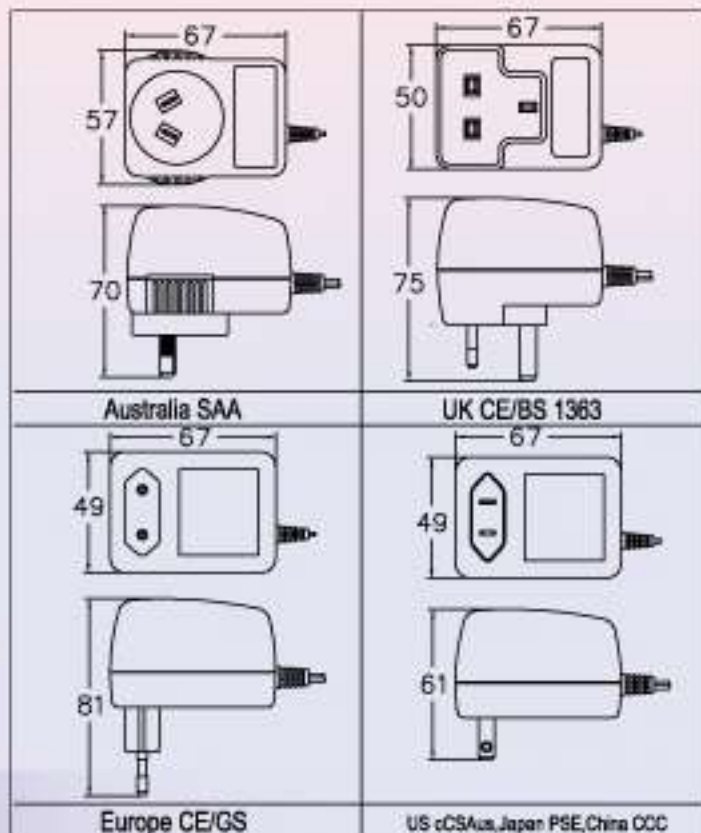


Input Voltage	Certified Standards	Output Voltage	Output Power
AC120V 60Hz	UL/CSA 60950	x	x
	UL/CSA 60065	x	x
	UL/CSA 1310	x	x
		x	x
AC230-240V 50Hz	EN/AS 60950	AC3V - 22V DC3V - 48V	AC8.4VA Max DC6.12VA Max
	EN/AS 60065	AC3V - 18V DC3V - 48V	AC8.4VA Max DC6.12VA Max
	EN/AS 61558	AC3V - 36V DC3V - 48V	AC8.4VA Max DC6.12VA Max

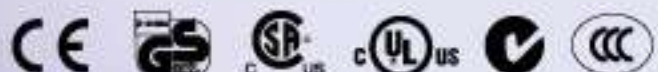


WALL-MOUNTED LINEAR (EI 4120) SERIES

Adaptors with Fixed AC Plugs (up to 11.7W)



Input Voltage	Certified Standards	Output Voltage	Output Power
AC120V 60Hz	UL/CSA 60950	AC1.5V - 21V DC1.5V - 44V	AC11.7VA Max DC6VA Max
	UL/CSA 60065	X	X
	UL/CSA 1310	X	X
AC230-240V 50Hz	EN/AS 60950	AC1.5V - 24V DC1.5V - 45V	AC11.7VA Max DC6VA Max
	EN/AS 60065	AC3V - 24V DC3V - 48V	AC10.2VA Max DC7.22VA Max
	EN/AS 61558	AC3V - 15V DC3V - 48V	AC10.2VA Max DC7.22VA Max
		AC3V - 36V DC3V - 48V	AC10.2VA Max DC7.22VA Max



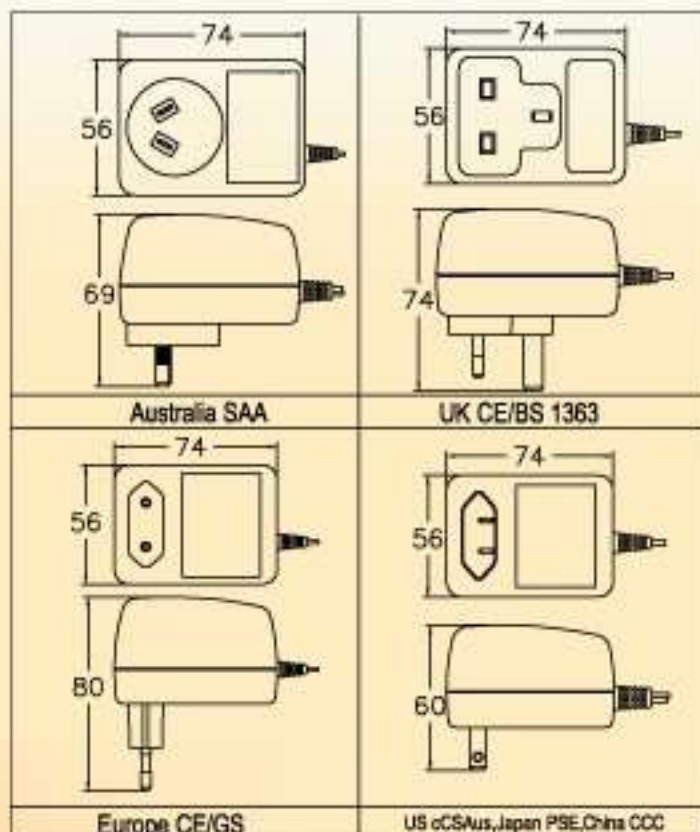
www.helms-man.com

WALL-MOUNTED LINEAR (EI 4818) SERIES

Adaptors with Fixed AC Plugs (up to 15W)



Input Voltage	Certified Standards	Output Voltage	Output Power
AC120V 60Hz	UL/CSA 60950	AC2.5V - 24V DC1.5V - 44V	AC12VA Max DC10.62VA Max
	UL/CSA 60065	X X	X X
	UL/CSA 1310	AC2.5V - 24V DC1.5V - 44V	AC12VA Max DC10VA Max
AC230-240V 50Hz	EN/AS 60950	AC3V - 24V DC3V - 48V	AC14.72VA Max DC11.25VA Max
	EN/AS 60065	AC3V - 18V DC3V - 48V	AC14.72VA Max DC11.25VA Max
	EN/AS 61558	AC3V - 36V DC3V - 48V	AC15.04VA Max DC11.25VA Max



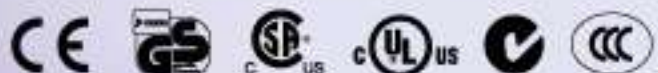
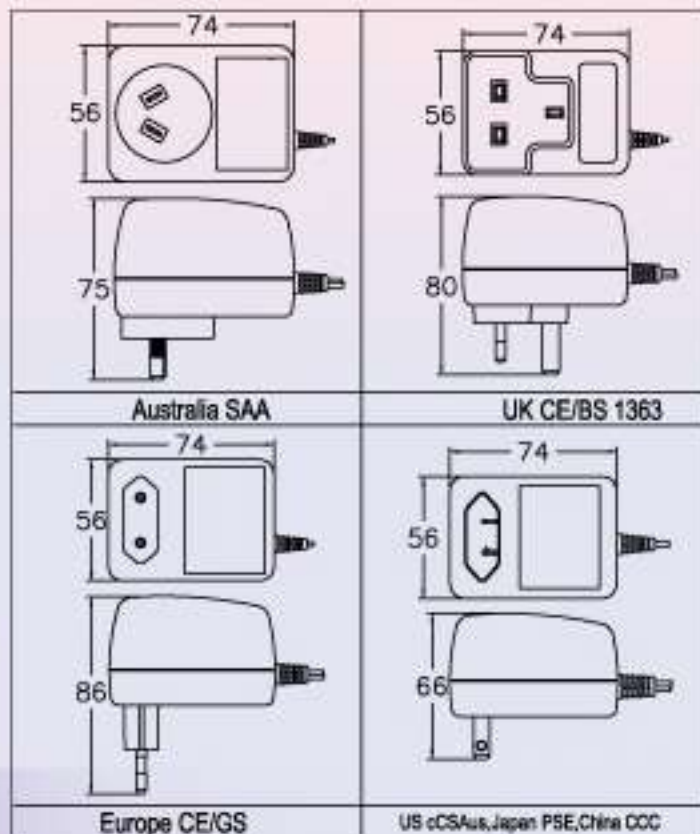
WALL-MOUNTED LINEAR (EI 4824) SERIES

Adaptors with Fixed AC Plugs (up to 21W)



Input Voltage	Certified Standards	Output Voltage	Output Power
AC120V 60Hz	UL/CSA 60950	AC2.7V - 24V DC1.5V - 44V	AC20.88VA Max DC15VA Max
	UL/CSA 60065	X X	X X
	UL/CSA 1310	AC2.7V - 24V DC1.5V - 44V	AC20.88VA Max DC15VA Max
AC230-240V 50Hz	EN/AS 60950	AC3V - 24V DC3V - 48V	AC18.13VA Max DC14.21VA Max
	EN/AS 60065	AC3V - 18V DC3V - 48V	AC18VA Max DC14.21VA Max
	EN/AS 61558	AC3V - 36V DC3V - 48V	AC18.13VA Max DC14.21VA Max

www.helms-man.com

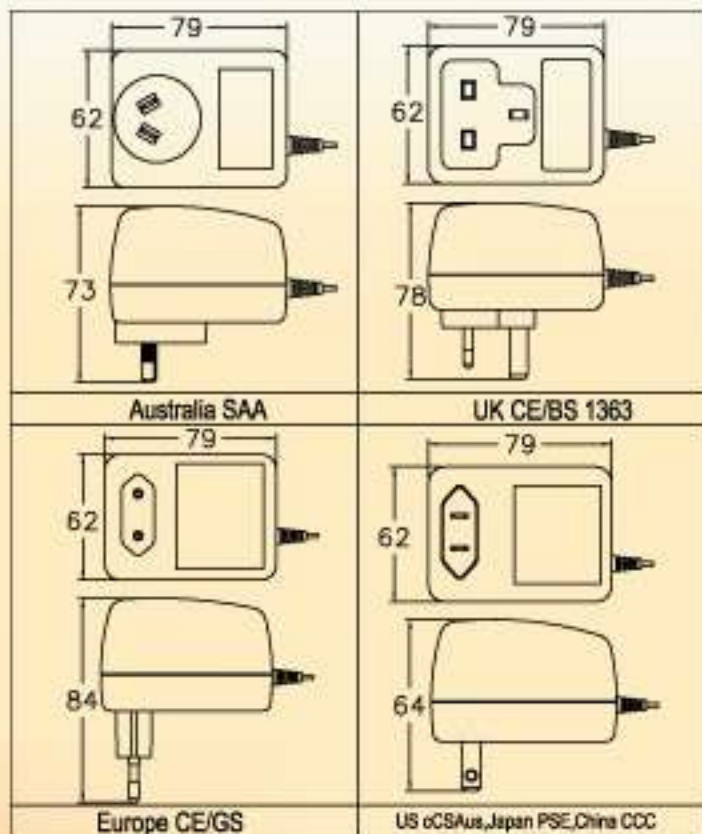


WALL-MOUNTED LINEAR (EI 5420) SERIES

Adaptors with Fixed AC Plugs (up to 24W)



Input Voltage	Certified Standards	Output Voltage	Output Power
AC120V 60Hz	UL/CSA 60950	AC2.5V - 24V DC1.5V - 48V	AC20.2VA Max DC15VA Max
	UL/CSA 60065	X	X
	UL/CSA 1310	AC2.5V - 24V DC1.5V - 48V	AC20.2VA Max DC15VA Max
AC230-240V 50Hz	EN/AS 60950	AC3V - 24V DC3V - 48V	AC21.75VA Max DC16.17VA Max
	EN/AS 60065	AC3V - 18V DC3V - 48V	AC21.75VA Max DC16.17VA Max
	EN/AS 61558	AC3V - 36V DC3V - 48V	AC24.19VA Max DC16.17VA Max



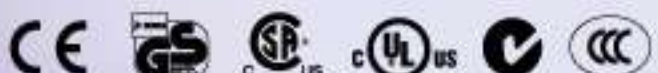
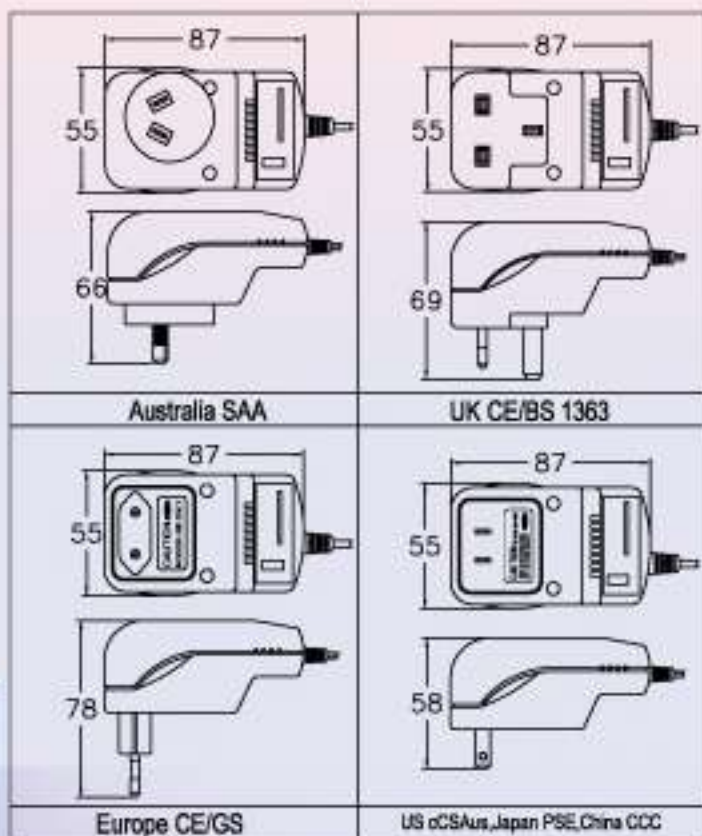
WALL-MOUNTED LINEAR (EI 41) SERIES

Multi-Voltage Adaptors with Fixed AC Plugs (up to 6W)



Input Voltage	Certified Standards	Output Voltage	Output Current
AC120V	UL/CSA 1310	DC1.5V/ 3.0V/ 4.5V/ 6.0V/ 7.5V/ 9.0V/ 12V	300mA
	UL/CSA 1310	DC1.5V/ 3.0V/ 4.5V/ 6.0V/ 7.5V/ 9.0V/ 12V	500mA
AC230-240V	CE / IEC 61558	DC1.5V/ 3.0V/ 4.5V/ 6.0V/ 7.5V/ 9.0V/ 12V	300mA
	CE / IEC 61558	DC1.5V/ 3.0V/ 4.5V/ 6.0V/ 7.5V/ 9.0V/ 12V	500mA

www.helms-man.com



WALL-MOUNTED SWITCHING CHARGER (BATTERY HOLDER) SERIES

Electronic Toys and Games (up to 6.0w)

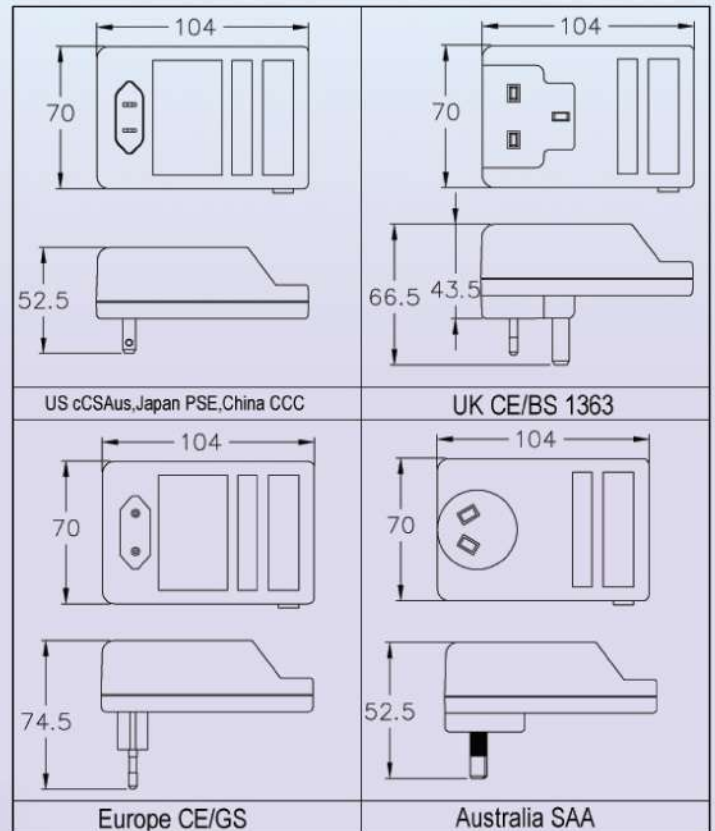


MODEL RANGE

INPUT VOLTAGE : AC100V-240V
 OUTPUT VOLTAGE : DC1.5V - 12V
 OUTPUT CURRENT : DC100mA-600mA
 BATTERY PACK : 4.8V /6V /7.2V /9.6V,
 up to 2300mAH.

CERTIFIED STANDARDS

UL1310 UL60950 UL60065
 UL697 UL60601 UL8750
 IEC61558 IEC60950 IEC60065
 IEC61347 IEC60335 IEC60601



WALL-MOUNTED SWITCHING OR LINEAR CHARGER (BATTERY HOLDER) SERIES

for Electronic Toys and Games (up to 3.6W)

www.helms-man.com

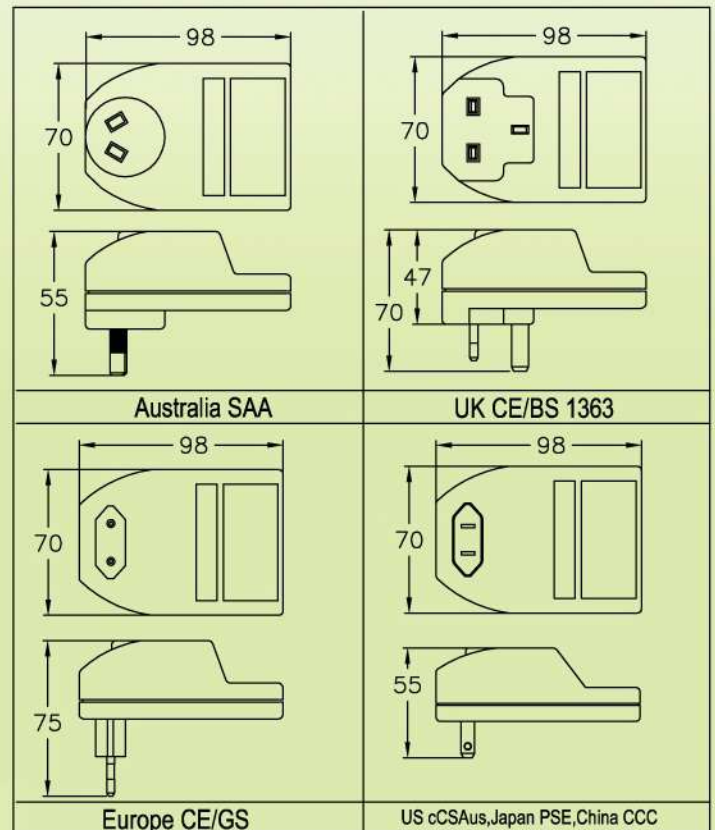


MODEL RANGE

INPUT VOLTAGE : AC 100-240V
 OUTPUT VOLTAGE : DC 6V / 9V / 12V
 OUTPUT CURRENT : DC 200mA - 300mA
 BATTERY PACK : 4.8V / 7.2V / 9.6V,
 up to 1300mAH

CERTIFIED STANDARDS

UL1310 UL60950 UL60065
 UL697 UL60601 UL8750
 IEC61558 IEC60950 IEC60065
 IEC61347 IEC60335 IEC60601



WALL-MOUNTED HXA60W-SERIES

HELMs-MAN TRANSFORMERS

Electronic Halogen Lighting Transformers
with Fixed AC Plugs (up to 60W)



MODEL RANGE

INPUT VOLTAGE : AC 100V / 120V / 230V / 240V

OUTPUT VOLTAGE : AC 12V

OUTPUT CURRENT : 5000mA Max

OUTPUT POWER : 60W Max

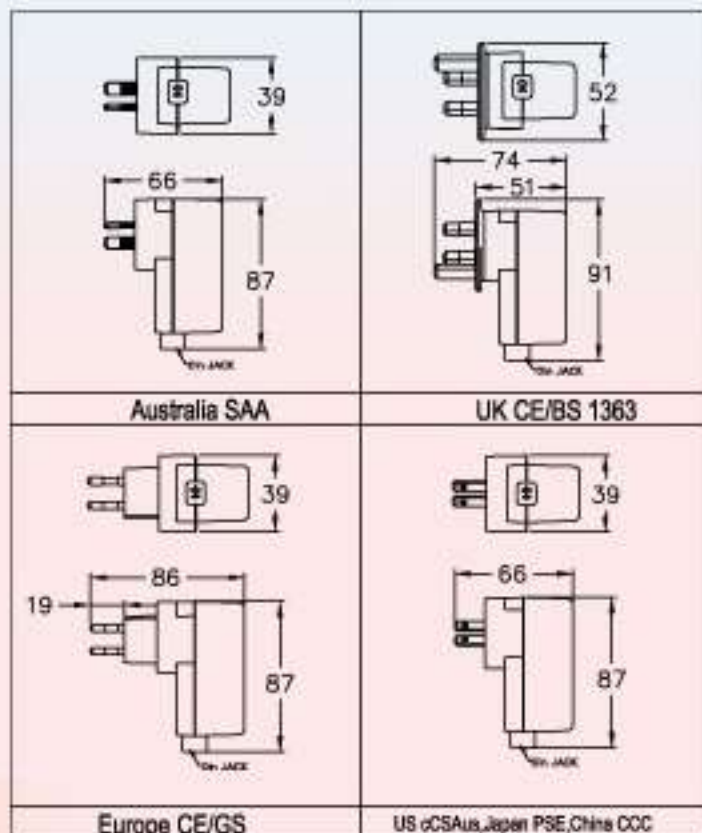
CERTIFIED STANDARDS

UL1310 UL60950 UL60065

UL697 UL60601 UL8750

IEC61558 IEC60950 IEC60065

IEC61347 IEC60335 IEC60601



WALL-MOUNTED HXA20W-SERIES

www.helms-man.com

Electronic Halogen Lighting Transformers
with Fixed AC Plugs (up to 20W)



MODEL RANGE

INPUT VOLTAGE : AC 100V / 120V / 230V / 240V

OUTPUT VOLTAGE : AC 12V

OUTPUT CURRENT : 1660mA Max

OUTPUT POWER : 20W Max

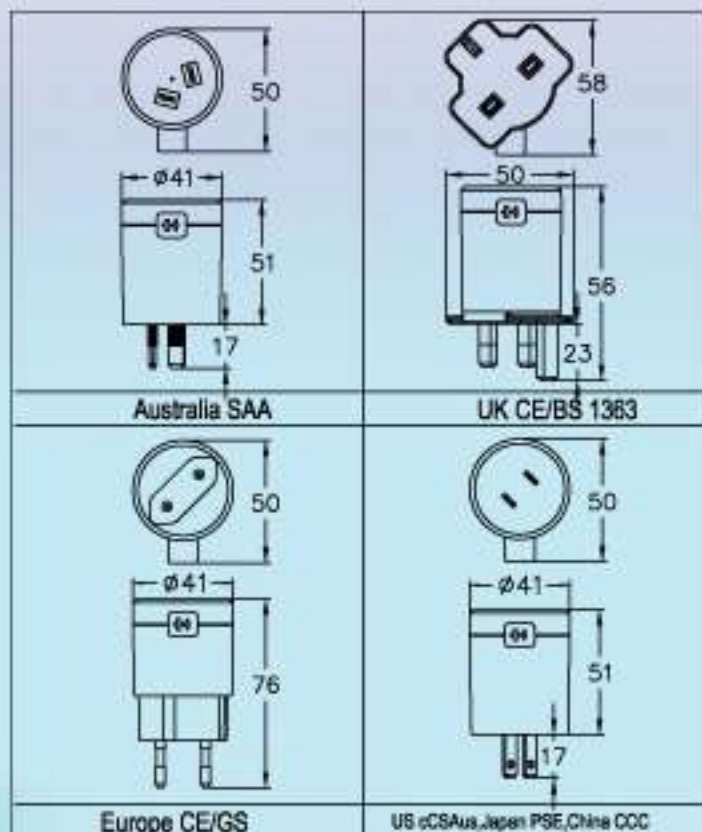
CERTIFIED STANDARDS

UL1310 UL60950 UL60065

UL697 UL60601 UL8750

IEC61558 IEC60950 IEC60065

IEC61347 IEC60335 IEC60601



WALL-MOUNTED F-SERIES

Switching LED Drivers
with Interchangeable AC Plugs (up to 12W)

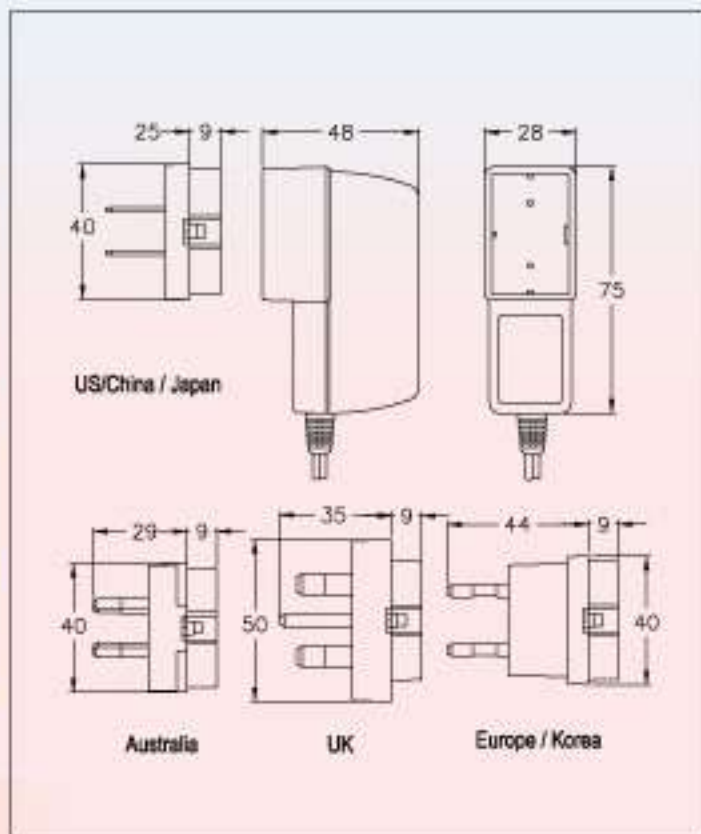


MODEL RANGE

INPUT VOLTAGE : AC100V-240V
OUTPUT VOLTAGE : DC3V-24V
OUTPUT CURRENT : 10mA-2000mA
OUTPUT POWER : 12W Max

CERTIFIED STANDARDS

UL1310	UL60950	UL60065
UL697	UL60601	UL8750
IEC61558	IEC60950	IEC60065
IEC61347	IEC60335	IEC60601



WALL-MOUNTED H-SERIES

with Fixed AC Plugs
Switching LED Drivers (up to 8W)

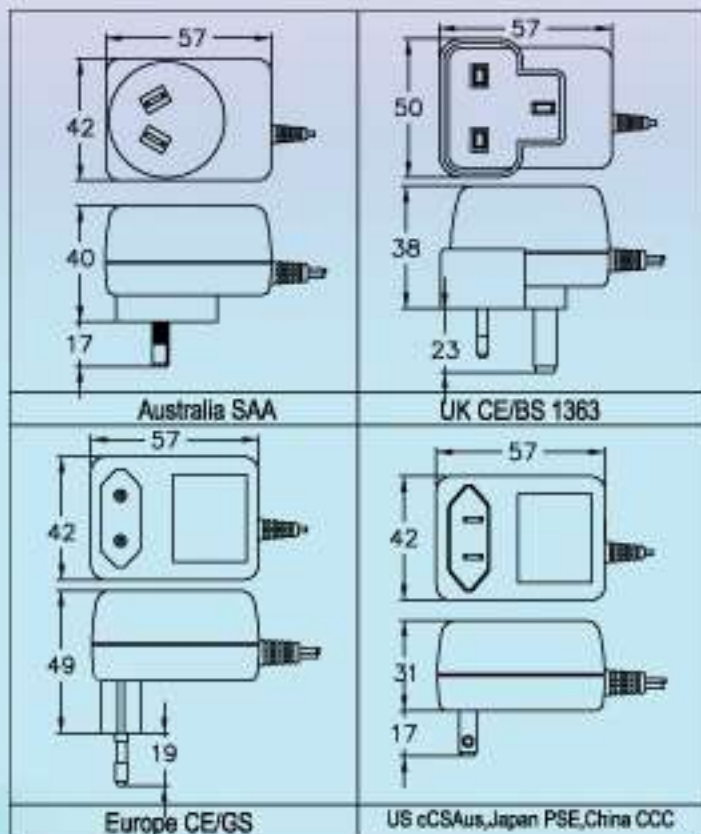


MODEL RANGE

INPUT VOLTAGE : AC100V-240V
OUTPUT VOLTAGE : DC5V-24V
OUTPUT CURRENT : 100mA-1500mA
OUTPUT POWER : 8.0W Max

CERTIFIED STANDARDS

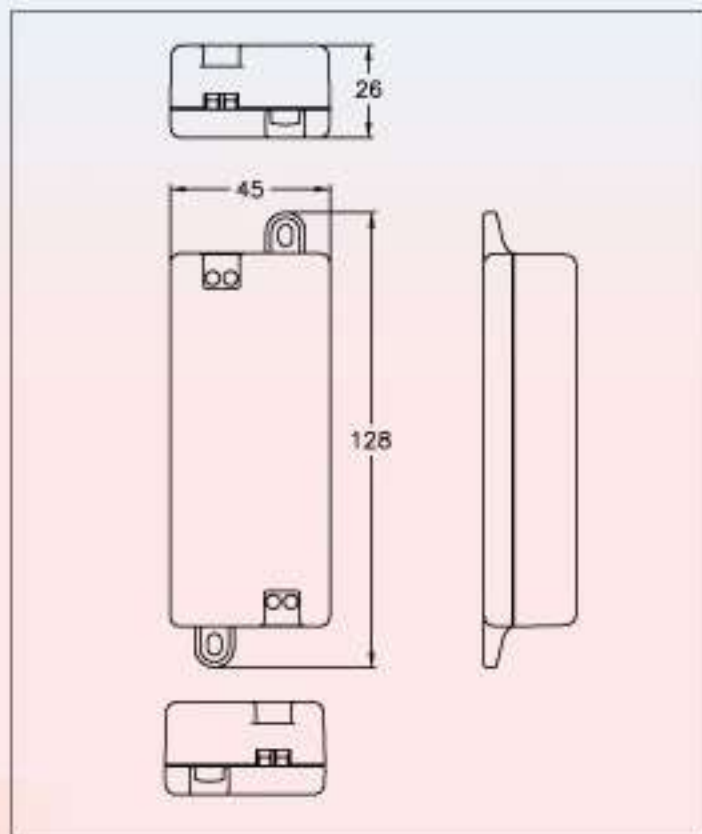
UL1310	UL60950	UL60065
UL697	UL60601	UL8750
IEC61558	IEC60950	IEC60065
IEC61347	IEC60335	IEC60601



DIMMABLE LED DRIVERS (HED-SERIES)

 HELMS-MAN TRANSFORMERS

CC Mode with PFC up to 25W
for LED Lamps and Fixtures



MODEL RANGE

INPUT VOLTAGE : AC100V-240V
OUTPUT VOLTAGE : DC15V-35V
OUTPUT CURRENT : 350mA-1400mA
OUTPUT POWER : 25W Max

CERTIFIED STANDARDS

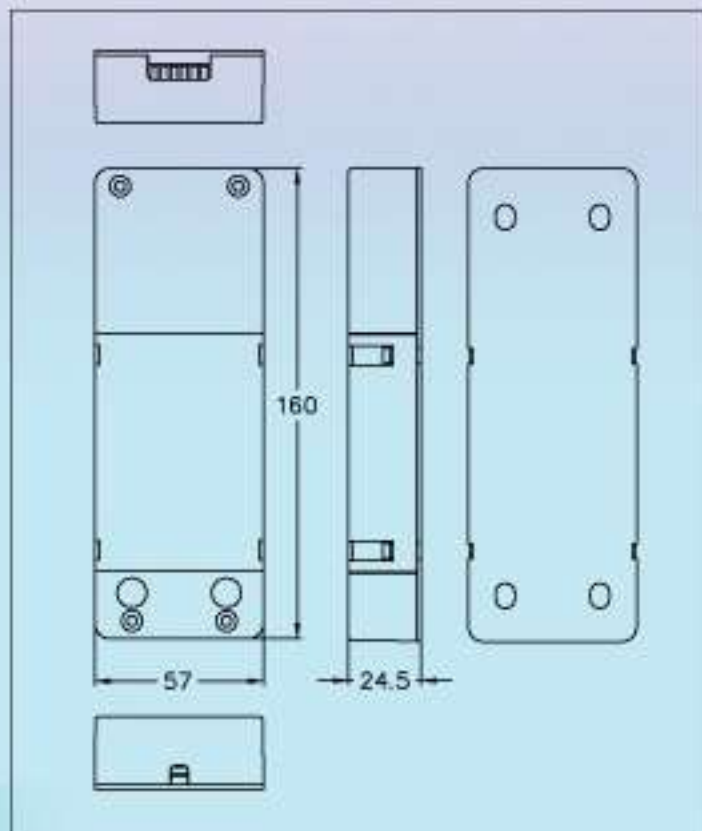
UL1310 UL60950 UL60065
UL697 UL60601 UL8750
IEC61558 IEC60950 IEC60065
IEC61347 IEC60335 IEC60601



BUILT IN TYPE LIGHTING DRIVERS (HXB-SERIES)

www.helms-man.com

For AC 12V Halogen Lighting (or DC 12V LED
Lighting with Built-in-AC-DC Converter)



MODEL RANGE

INPUT VOLTAGE : AC100V/ 120V/ 230V/ 240V
OUTPUT VOLTAGE : AC12V
OUTPUT CURRENT : 5000mA Max
OUTPUT POWER : 60W Max

CERTIFIED STANDARDS

UL1310 UL60950 UL60065
UL697 UL60601 UL8750
IEC61558 IEC60950 IEC60065
IEC61347 IEC60335 IEC60601



DIMMABLE & NON-DIMMABLE LED DRIVERS

1W to 60W for LED Fixtures and LED Bulbs or Tubes



DIMMABLE OR NON-DIMMABLE LED DRIVERS UP TO 60W

Wattage Range	Current Range	Voltage Range	CC Mode	CV Mode	Dimmable
1.0W - 4.0W	200mA - 400mA	3V - 12V	Y	Y	Y
3.0W - 8.0W	200mA - 700mA	3V - 14V	Y	Y	Y
6.0W - 15W	200mA - 1000mA	3V - 24V	Y	Y	Y
12W - 25W	200mA - 1500mA	3V - 36V	Y	Y	Y
40W - 60W	1000mA - 5000mA	12V - 48V	Y	Y	N

LOW VOLTAGE EXTERNAL CONTROLLER (HMF-SERIES) (up to 12W)

With Flashing Control for 8 Flashing Effects
For LED Deco Lighting or Christmas Chain Lights

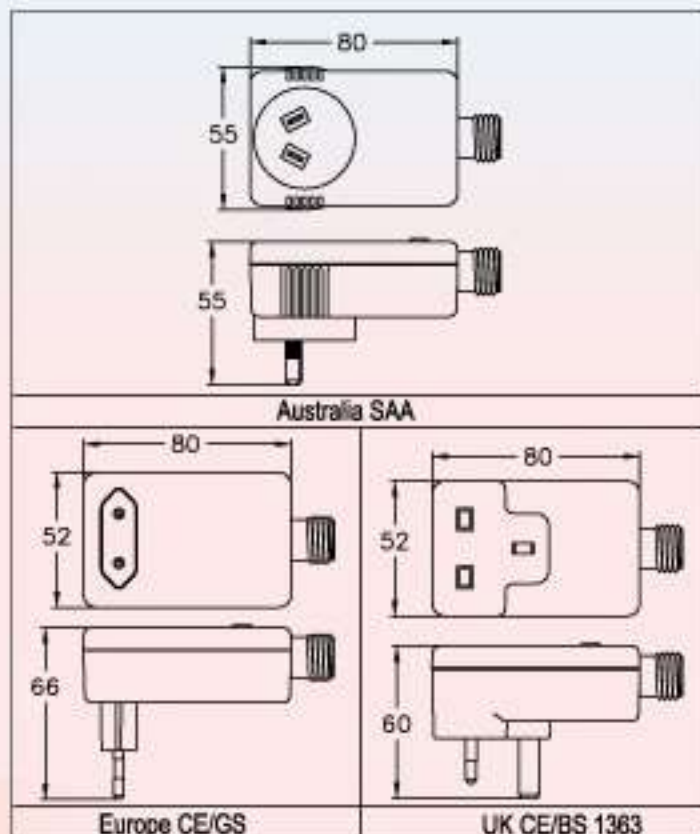


MODEL RANGE

INPUT VOLTAGE : AC 220V-240V
OUTPUT VOLTAGE : DC24V - 36V
OUTPUT CURRENT : 500mA Max
OUTPUT POWER : 3W-12W Max

CERTIFIED STANDARDS

UL1310 UL60950 UL60065
UL697 UL60601 UL8750
IEC61558 IEC60950 IEC60065
IEC61347 IEC60335 IEC60601



LOW VOLTAGE EXTERNAL CONTROLLER (HSF-SERIES) (up to 6W)

With Flashing Control for 8 Flashing Effects
For LED Deco Lighting or Christmas Chain Lights

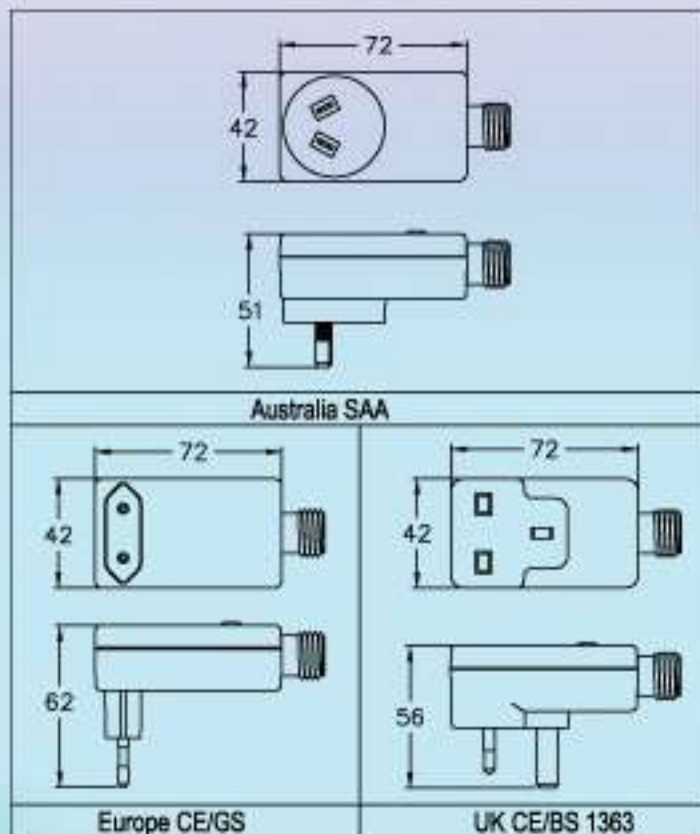


MODEL RANGE

INPUT VOLTAGE : AC220V-240V
OUTPUT VOLTAGE : DC24V-36V
OUTPUT CURRENT : 250mA Max
OUTPUT POWER : 3W-6W Max

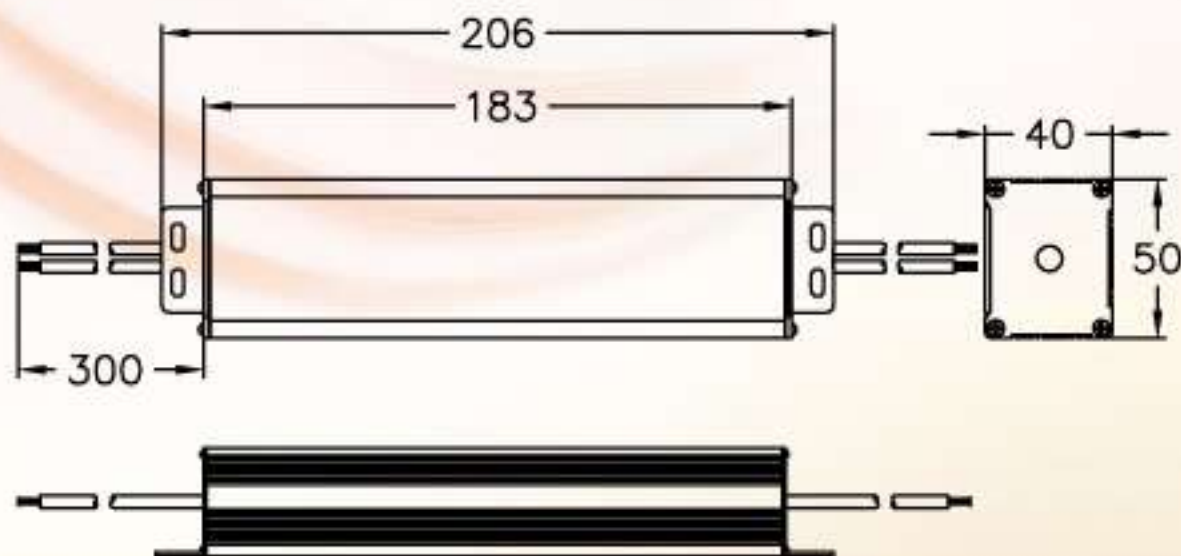
CERTIFIED STANDARDS

UL1310 UL60950 UL60065
UL697 UL60601 UL8750
IEC61558 IEC60950 IEC60065
IEC61347 IEC60335 IEC60601



www.helms-man.com

HEW Series 60W Constant Current LED Drivers for Indoor or Outdoor Fixtures



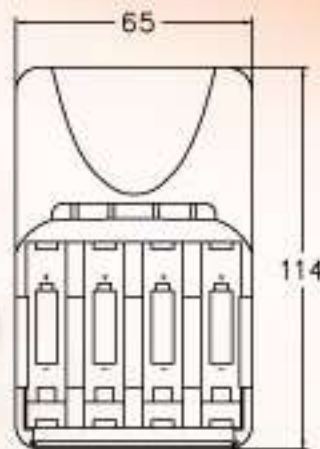
SPECIFICATION

MODEL		HEW-12V	HEW-15V	HEW-20V	HEW-24V	HEW-30V	HEW-36V	HEW-42V	HEW-48V
OUTPUT	Voltage	DC12V	DC15V	DC20V	DC24V	DC30V	DC36V	DC42V	DC48V
	Current	5.0A	4.0A	3.0A	2.5A	2.0A	1.7A	1.45A	1.3A
	Power	60W	60W	60W	60W	60W	60W	60W	60W
INPUT	Voltage Range	AC 100 - 277V							
	Frequency	47 - 63 Hz							
	Efficiency	Over 85%							
PROTECTION	Over-Current	Yes							
	Short Circuit	Yes							
	Over-Voltage	Yes							
WORKING ENVIRONMENT	Ambient Temp	-20C ~ +70C (at 100% Load)							
	Ambient Humidity	20 ~ 95% R/H non-condensing							
APPROBATION	Safety Standards	IEC61347 / UL1310 / IP66							
	EMI / EMS	EN55015 / EN61000 / ENV50204 / EN55024 / EN61547							
RELIABILITY	MTBF	50000 Hours, minimum MIL-HDBK-217F (at 25C)							
SIZE	Dimension	183*45*40mm (L*W*H)							
	Weight	0.55 Kg							



HELMS-MAN TRANSFORMERS

DESKTOP 4-CELL FAST CHARGER (for 4xAAA or 4xAA Cells)



DESKTOP 4-CELL FAST CHARGER SPECIFICATION

AC Input Voltage	輸入電壓	AC100V - 240V
AC Input Frequency	輸入頻率	47 - 63 Hz
Output Power	輸出功率	0 - 5 Watt Max
Operating Temperature	工作溫度	0 - 40 C
Start Output Voltage	輸出電壓	2.4V ± 0.1V
Finish Charge Voltage	充滿後電壓	1.45V ± 0.05V
Short Circuit Protection	短路保護	Yes (有)
Over-Voltage Protection	過壓保護	Yes (有)
Over-Temperature Protection	過溫保護	Yes (有)
Negative Delta V Protection	負DeltaV保護	Yes (有)
Ni-MH or Ni-Cd Battery Cell	Ni-MH 或 Ni-Cd	Auto-Sensing (自動檢測)
AA or AAA Battery Cell	AA 或 AAA	Auto-Sensing (自動檢測)
Number of Cells (1 to 4 Cells)	電池數量(1至4粒)	Auto-Sensing (自動檢測)
Maximum Charging Time Control	上限充電時間控制	5 Hours Maximum (5小時上限)
LED Indication for Each Channel	每組獨立LED指示	Yes (有)
Full Charge Time for 1 AA	1 AA 充滿時間	Approx 2.5 Hours (約 2.5小時)
Full Charge Time for 2 AA	2 AA 充滿時間	Approx 2.5 Hours (約 2.5小時)
Full Charge Time for 3 AA	3 AA 充滿時間	Approx 3.0 Hours (約 3.0小時)
Full Charge Time for 4 AA	4 AA 充滿時間	Approx 3.0 Hours (約 3.0小時)
Full Charge Time for 1 AAA	1 AAA 充滿時間	Approx 2.0 Hours (約 2.0小時)
Full Charge Time for 2 AAA	2 AAA 充滿時間	Approx 2.0 Hours (約 2.0小時)
Full Charge Time for 3 AAA	3 AAA 充滿時間	Approx 2.5 Hours (約 2.5小時)
Full Charge Time for 4 AAA	4 AAA 充滿時間	Approx 2.5 Hours (約 2.5小時)
Certification	安規認證	CE, CB, cETLus, FCC, CCC,



HELMS-MAN COLLECTION OF POWER TRANSFORMERS

Lead Wire Type Power Transformers



PCB Mounted Pin Type Power Transformers

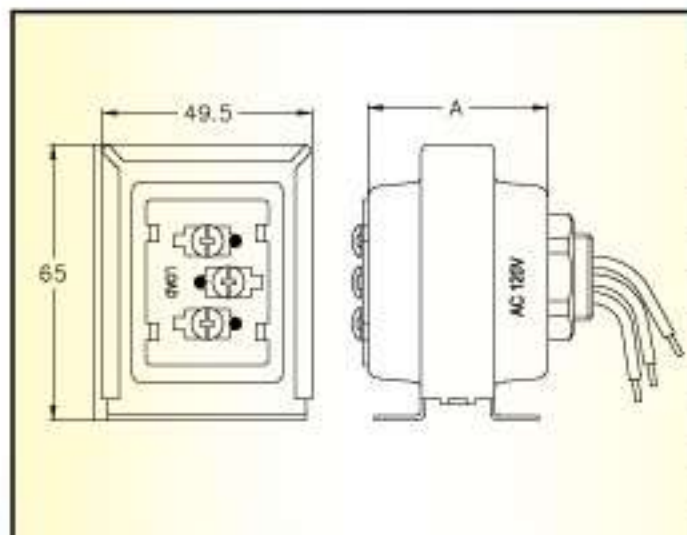


Door Chime Transformers



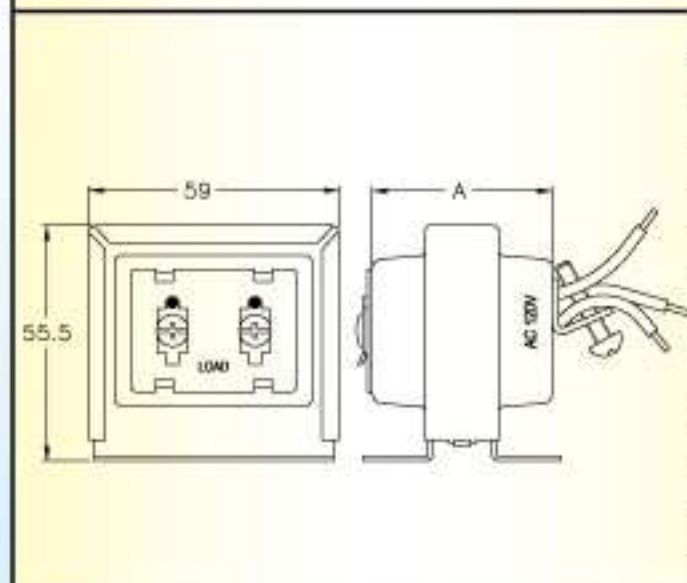
HELMS-MAN HOME USE TRANSFORMERS

FOR DOOR CHIMES, HEATER CONTROLS & HOMES SECURITY.,etc



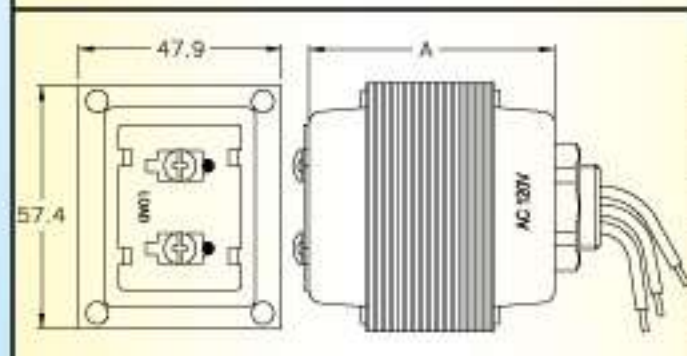
企身橋錐頭有水線 (Vertical Frame Lock Nut Type With Ground Wire)

Model Nr	Power 1	and Power 2	or Power 3	闊度(A)
EM57580	AC16V,10VA			42.5mm
EM57581	AC10V,5VA			42.5mm
EM57582	AC16V,15VA			42.5mm
EM57583	AC24V,20VA	AC8V,10VA	AC16V,10VA	42.5mm
T57-0252	AC24V,15VA			42.5mm
T57-0040	AC24V,40VA			58mm
T57-0041	AC24V,30VA	AC8V,20VA	AC16V,30VA	58mm
T57-0042	AC24V,40VA	AC8V,20VA	AC16V,30VA	58mm
T57-0052	AC16V,30VA			58mm
T57-0487	AC12V,30VA	AC24V,40VA		58mm



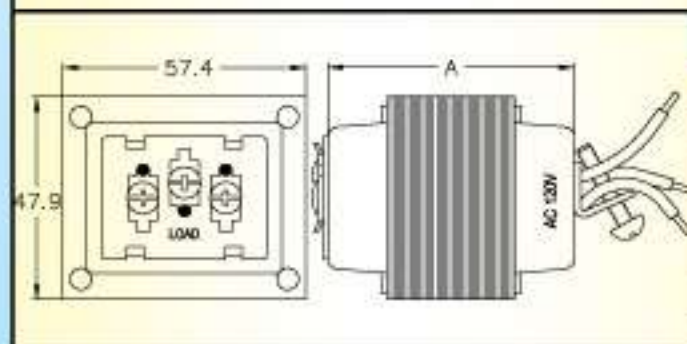
橫身橋齒錐有水線 (Horizontal Frame Clamp-On Type With Ground Wire)

Model Nr	Power 1	and Power 2	or Power 3	闊度(A)
EM57580H	AC16V,10VA			42.5mm
EM57581H	AC10V,5VA			42.5mm
EM57582H	AC16V,15VA			42.5mm
EM57583H	AC24V,20VA	AC8V,10VA	AC16V,10VA	42.5mm
T57-0013H	AC25V,12VA			42.5mm
T57-0252H	AC24V,15VA			42.5mm
T57-0040H	AC24V,40VA			58mm
T57-0041H	AC24V,30VA	AC8V,20VA	AC16V,30VA	58mm
T57-0042H	AC24V,40VA	AC8V,20VA	AC16V,30VA	58mm
T57-0052H	AC16V,30VA			58mm
T57-0487H	AC12V,30VA	AC24V,40VA		58mm



無橋錐頭有水線 (No Frame Lock-Nut Type With Ground Wire)

Model Nr	Power 1	and Power 2	or Power 3	闊度(A)
T57-0040R	AC24V,40VA			58mm
T57-0042R	AC24V,40VA	AC8V,20VA	AC16V,30VA	58mm
T57-0052R	AC16V,30VA			58mm



無橋齒錐有水線 (No Frame Clamp-On Type With Ground wire)

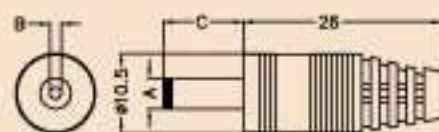
Model Nr	Power 1	and Power 2	or Power 3	闊度(A)
T57-0041R	AC24V,30VA	AC8V,20VA	AC16V,30VA	58mm



HELMS-MAN COLLECTION OF PLUGS & JACKS



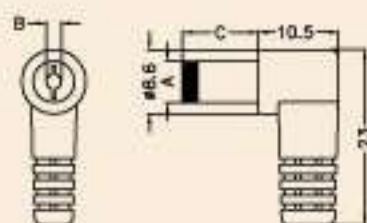
Part No	A	B	C
PST-351410	∅ 3.5	∅ 1.4	10
PST-401710	∅ 4.0	∅ 1.7	10
PST-552108	∅ 5.5	∅ 2.1	8
PST-552110	∅ 5.5	∅ 2.1	10
PST-552112	∅ 5.5	∅ 2.1	12
PST-552114	∅ 5.5	∅ 2.1	14



Part No.PST-XXX



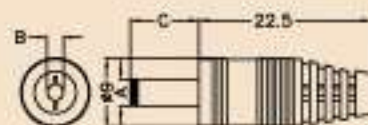
Part No	A	B	C
SL-351410	∅ 3.5	∅ 1.4	10
SL-401710	∅ 4.0	∅ 1.7	10
SL-552108	∅ 5.5	∅ 2.1	8
SL-552110	∅ 5.5	∅ 2.1	10
SL-552112	∅ 5.5	∅ 2.1	12
SL-552114	∅ 5.5	∅ 2.1	14



Part No.SL-XXX



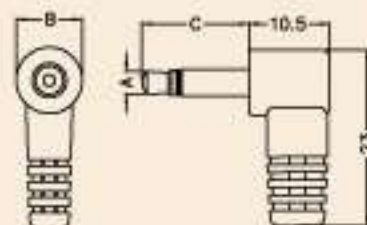
Part No	A	B	C
SS-351410	∅ 3.5	∅ 1.4	10
SS-401710	∅ 4.0	∅ 1.7	10
SS-552108	∅ 5.5	∅ 2.1	8
SS-552110	∅ 5.5	∅ 2.1	10
SS-552112	∅ 5.5	∅ 2.1	12
SS-552114	∅ 5.5	∅ 2.1	14



Part No.SS-XXX



Part No	A	B	C
ML-2512	∅ 2.5	∅ 8.5	12
ML-3514	∅ 3.5	∅ 8.5	14



Part No.ML-XXX



Part No	A	B	C
SS-230710	∅ 2.3	∅ 0.7	10

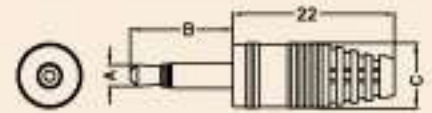


Part No.SS-XXX

HELMS-MAN COLLECTION OF PLUGS & JACKS



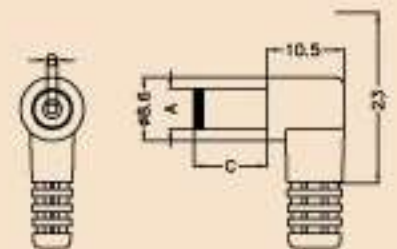
Part No	A	B	C
MPS-2512	∅ 2.5	12	∅ 9
MPS-3514	∅ 3.5	14	∅ 9



Part No.MPS-XXX



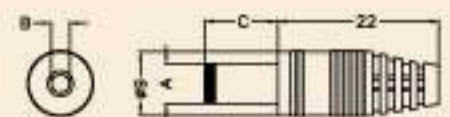
Part No	A	B	C
PL-351208	∅ 3.5	∅ 1.25	8
PL-351210	∅ 3.5	∅ 1.25	10
PL-351212	∅ 3.5	∅ 1.25	12
PL-351408	∅ 3.5	∅ 1.4	8
PL-351410	∅ 3.5	∅ 1.4	10
PL-351412	∅ 3.5	∅ 1.4	12
PL-552108	∅ 5.5	∅ 2.1	8
PL-552110	∅ 5.5	∅ 2.1	10
PL-552112	∅ 5.5	∅ 2.1	12
PL-552510	∅ 5.5	∅ 2.5	10
PL-552512	∅ 5.5	∅ 2.5	12
PL-552514	∅ 5.5	∅ 2.5	14



Part No.PL-XXX



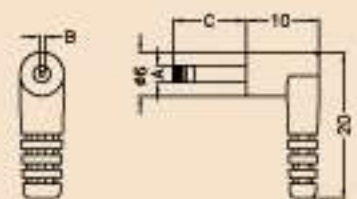
Part No	A	B	C
PS-351408	∅ 3.5	∅ 1.4	8
PS-351410	∅ 3.5	∅ 1.4	10
PS-352108	∅ 3.5	∅ 2.1	8
PS-552110	∅ 5.5	∅ 2.1	10
PS-552112	∅ 5.5	∅ 2.1	12
PS-552508	∅ 5.5	∅ 2.5	8
PS-552510	∅ 5.5	∅ 2.5	10
PS-552512	∅ 5.5	∅ 2.5	12
PS-552514	∅ 5.5	∅ 2.5	14



Part No.PS-XXX

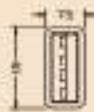


Part No	A	B	C
SL-230710	∅ 2.3	∅ 0.7	10

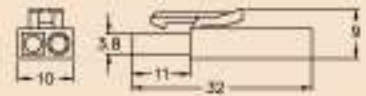


Part No.SL-XXX

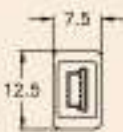
HELMS-MAN COLLECTION OF PLUGS & JACKS



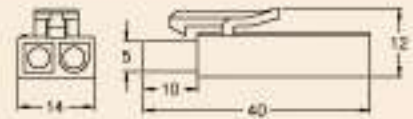
Standard USB-A Part Nr:1201-0220016760R



2-Pin Receptacle Part Nr:0101-00000300-0R



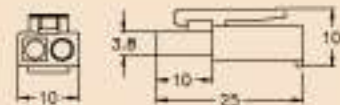
mini USB-B Part Nr:1201-3000014940R



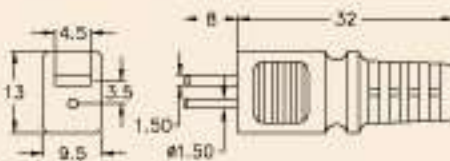
2-Pin Receptacle Part Nr:0101-00000300-0R



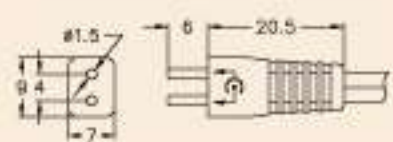
micro USB-B Part Nr:1201-3000020730R



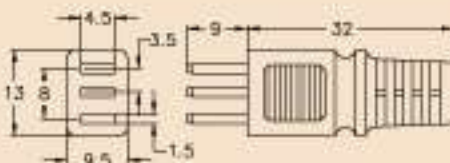
2-Pin Receptacle Part Nr:0101-00002101-0R



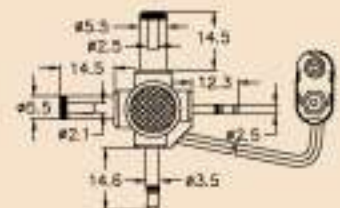
2-Pin Din Jack Part Nr:1201-501000720R



Part Nr:1201-700000034-0R

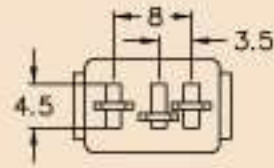


3-Pin Din Jack Part Nr:1201-5220006200R

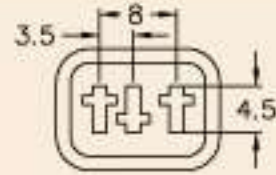


5-Way Plug Part No. PP-0124

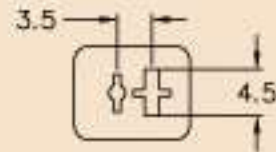
HELMS-MAN COLLECTION OF PLUGS & JACKS



3-Pin Din Jack Part No: PP-0535



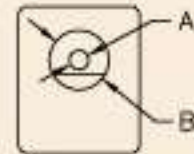
3-Pin Din Jack Part No: PP-0001



2-Pin Din Jack Part No: PP-0154



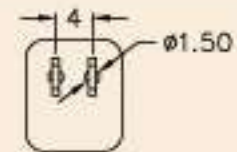
DC Jack Part No	For DC Plug Size	
	A	B
PP-0125-3512	∅ 1.25	∅ 3.5
PP-0125-3514	∅ 1.4	∅ 3.5
PP-0125-5521	∅ 2.1	∅ 5.5
PP-0125-5525	∅ 2.5	∅ 5.5
PP-0125-2307	∅ 0.7	∅ 2.3



Round DC Jack Part No: PP-0125



Round Ear Phone Jack Part No: PP-0550



Mini 2-pin Din Jack Part No: PP-0171



Part No: 9400-00012800-0

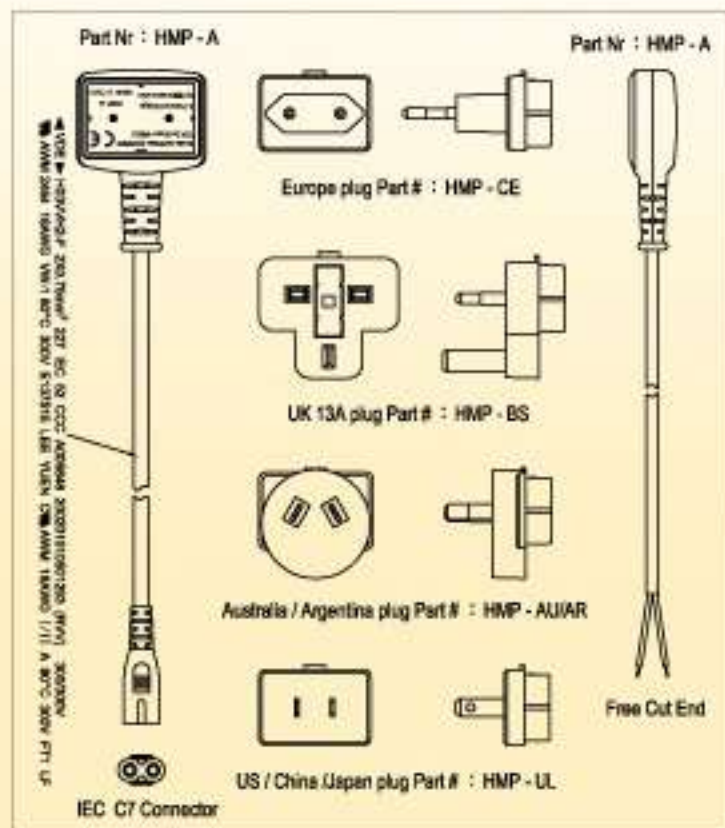
HELMS-MAN[®] TRANSFORMERS CO. LTD.

International Plug-Changeable Power Cord



Use this cable for

- lower unit cost
- lower production cost
- lower stock-keeping cost
- faster market response
- JIT production
- JIT shipments



Netbook/Notabook Computers



Digital Camera/Camcorder



Audio/Video Products



Office & Household Appliances



Power Supplies



Battery Chargers



HELMS-MAN TRANSFORMERS

www.helms-man.com